

Reach beyond the **conventional**...

Bhartia Enclosures



BCH
ELECTRIC
LIMITED

Bhartia Enclosures and Terminal Boxes provide a versatile solutions for modern hi-tech industrial applications. Being robust, compact & flexible, the product range offers utmost safety. Ideally suitable for Junction Boxes, Control Panels, Consoles, Distribution Boards, Starter Enclosures, Electronic Equipment Housing, Network Distributors, Server and Data Storage Racks and many more applications, the enclosures are available in IP 55 & IP 66.

The Manufacturing Process

Our state-of-the-art suitably augmented manufacturing infrastructure, produces enclosures that excel to offer cost effectiveness . Our focus is on strong infrastructure, high efficiency and consistent quality.



- High quality CRCA (branded) steel sheets
- 3D software used to design the products
- Superior servo drive punching and machine
- CNC machines are supported by 3D compatible software, which enables CAD to CAM manufacturing for customized products
- CNC bending machines with very high degree of accuracy, reproducibility & repeatability
- The fabrication process designed with TIG, MIG, spot and Pulse welding ensures strong structures
- Fully automatic and eco-friendly powder coating plant
- 10-Tank pre-treatment is done using spray jets and cascade rinsing, which ensures optimized usage of chemicals
- Tri-cationic zinc phosphating for higher salt spray life
- The door panels are processed with foam gasketing - made from Poly Urethane polymer for long life

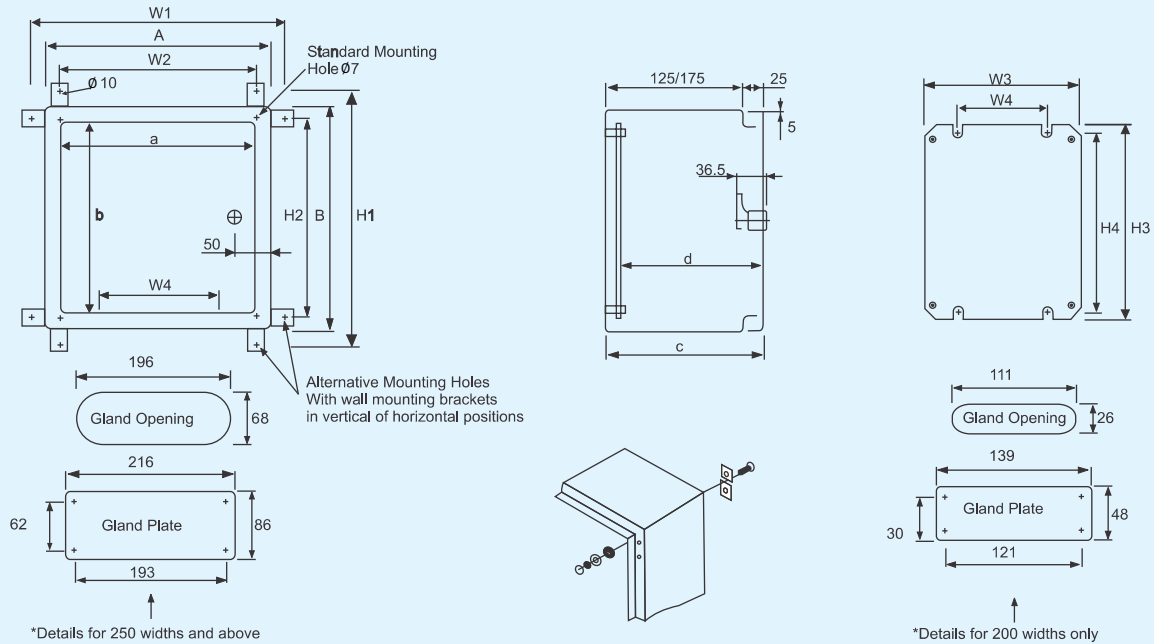


Bhartia Enclosures IP 55/ IP66- IK 10

- Range : (W x H x D in mm) : 200 x 200 x 150 through 1200 x 1400 x 400
- Available in IP55/ IP66 -IK10 protection
- Fabricated using CRCA draw quality sheet steel :
Body and Door : 1.2mm thickness upto 500 x 500 x 200 and 1.6 mm thickness beyond
Mounting plate and Gland plate : 2 mm thickness
- Powder coated paint finish :
Body - RAL 7035 Structure finish
Mounting plate - Electrogalvanized.
- Foamed-in PU gasket for superior and long lasting ingress protection
- Gland plate provided at bottom for IP 55
- Wall mounting brackets sets [4 brackets with fixing h/w] available as spare for small and bigger sizes enclosure.
- Customised Solutions
Ability to meet special requirements like non standard sizes, colours, door configuration, locking arrangement.



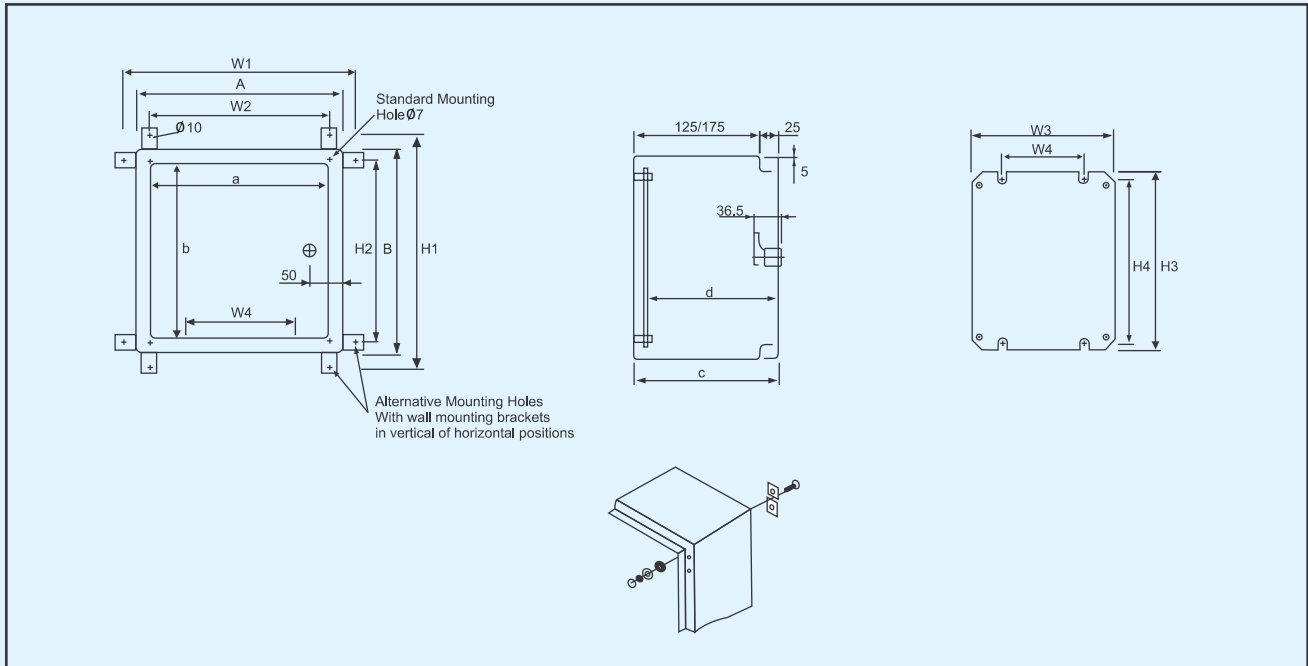
Bhartia Box IP 55 - Mounting Details



CAT. NO.	OVERALL SIZE.	OPENING DEPTH	MOUNTING HOLE POSITIONS				MOUNTING PLATE HOLE SIZE			
SINGLE DOOR										
	A B C	a b c	W1 W2 H1 H2	W3 H3 W4 H4						
BIL 50000	200 x 200 x 150	150 150 135	250 160 250 160	140 176 100 106						
BIL 50010	200 x 300 x 150	150 250 135	250 160 350 260	140 276 100 206						
BIL 50020	250 x 300 x 150	200 250 135	300 210 350 260	190 276 150 206						
BIL 50030	300 x 300 x 150	250 250 135	350 260 350 260	240 276 200 206						
BIL 50050	300 x 300 x 200	250 250 185	350 260 350 260	240 276 200 206						
BIL 50060	300 x 400 x 150	250 350 135	350 260 450 360	240 376 200 306						
BIL 50080	300 x 400 x 200	250 350 185	350 260 450 360	240 376 200 306						
BIL 50090	400 x 300 x 150	350 250 135	450 360 350 260	340 276 300 206						
BIL 50110	400 x 300 x 200	350 250 185	450 360 350 260	340 276 300 206						
BIL 50120	400 x 400 x 150	350 350 135	450 360 450 360	340 376 300 306						
BIL 50140	400 x 400 x 200	350 350 185	450 360 450 360	340 376 300 306						
BIL 50150	400 x 500 x 150	350 450 135	450 360 550 460	340 476 300 406						
BIL 50170	400 x 500 x 200	350 450 185	450 360 550 460	340 476 300 406						
BIL 50190	400 x 600 x 200	350 550 185	450 360 650 560	340 576 300 506						
BIL 50210	500 x 600 x 200	450 550 185	550 460 650 560	440 576 400 506						
BIL 50220	500 x 700 x 200	450 650 185	550 460 750 660	440 676 400 606						
BIL 50230	500 x 700 x 300	450 650 285	550 460 750 660	440 676 400 606						
BIL 50240	600 x 400 x 200	550 350 185	650 560 450 360	540 376 500 306						
BIL 50250	600 x 400 x 300	550 350 285	650 560 450 360	540 376 500 306						
BIL 50260	600 x 500 x 200	550 450 185	650 560 550 460	540 476 500 406						
BIL 50270	600 x 600 x 200	550 550 185	650 560 650 560	540 576 500 506						
BIL 50280	600 x 600 x 300	550 550 285	650 560 650 560	540 576 500 506						
BIL 50290	600 x 700 x 200	550 650 185	650 560 750 660	540 676 500 606						
BIL 50300	600 x 800 x 200	550 750 185	650 560 850 760	540 776 500 706						
BIL 50320	600 x 800 x 300	550 750 285	650 560 850 760	540 976 500 906						
BIL 50330	600 x 1000 x 200	550 950 185	650 560 1050 960	540 976 500 906						
BIL 50340	600 x 1000 x 300	550 950 285	650 560 1050 960	540 976 500 906						
BIL 50310	800 x 800 x 300	750 750 285	850 760 850 760	740 776 700 706						
BIL 50350	800 x 1000 x 200	750 950 185	850 760 1050 960	740 976 700 906						
BIL 50360	800 x 1000 x 250	750 950 235	850 760 1050 960	740 976 700 906						
BIL 50390	800 x 1000 x 300	750 950 285	850 760 1050 960	740 976 700 906						
BIL 50395	800 x 1200 x 300	750 1150 285	850 760 1250 1160	740 1176 700 1106						
DOUBLE DOOR										
BIL 50500	1000 x 800 x 200	950 750 185	1050 960 850 760	940 776 900 706						
BIL 50520	1000 x 800 x 300	950 750 285	1050 960 850 760	940 776 900 706						
BIL 50540	1000 x 1000 x 300	950 950 285	1050 960 1050 960	940 976 900 906						
BIL 50550	1000 x 1200 x 300	950 1150 285	1050 960 1250 1160	940 1176 900 1106						
BIL 50560	1000 x 1400 x 300	950 1350 285	1050 960 1450 1360	940 1376 900 1306						
BIL 50570	1200 x 1400 x 300	1150 1350 285	1250 1160 1450 1360	1140 1376 1100 1306						
BIL 50580	1000 x 1400 x 400	950 1350 385	1050 960 1450 1360	940 1376 900 1306						
BIL 50590	1200 x 1400 x 400	1150 1350 385	1250 1160 1450 1360	1140 1376 1100 1306						

*All dimensions in mm

Bhartia Box IP 66 - Mounting Details



CAT. NO.	OVERALL SIZE			OPENING DEPTH			MOUNTING HOLE POSITIONS				MOUNTING PLATE HOLE SIZE				MOUNTING PLATE HOLE SIZE			
	A	B	C	A	B	C	W1	W2	H1	H2	W3	H3	W4	H4	W3	H3	W4	H4
BIL 60000	200	200	150	150	150	135	250	160	250	160	140	176	100	106	140	176	100	106
BIL 60010	200	300	150	250	150	135	250	160	350	260	140	276	100	206	140	276	100	206
BIL 60020	250	300	200	250	150	135	300	210	350	260	190	276	150	206	190	270	150	206
BIL 60030	300	300	250	250	150	135	350	260	350	260	240	276	200	206	240	276	200	206
BIL 60050	300	300	250	250	185		350	260	350	260	240	276	200	206	240	276	200	206
BIL 60060	300	400	250	350	135		350	260	450	360	240	376	200	306	240	376	200	306
BIL 60080	300	400	250	350	185		350	260	450	360	240	376	200	306	240	376	200	306
BIL 60090	400	300	350	250	135		450	360	350	260	340	276	300	206	340	276	300	306
BIL 60110	400	300	350	250	185		450	360	350	260	340	276	300	206	340	276	300	206
BIL 60120	400	400	350	350	135		450	360	450	360	340	376	300	306	340	376	300	306
BIL 60140	400	400	350	350	185		450	360	450	360	340	376	300	306	340	376	300	306
BIL 60150	400	500	350	450	135		450	360	550	460	340	476	300	406	340	476	300	406
BIL 60170	400	500	350	450	185		450	360	550	460	340	476	300	406	340	476	300	406
BIL 60190	400	600	350	550	185		450	360	650	560	340	576	300	506	340	576	300	506
BIL 60210	500	600	450	550	185		550	460	650	560	440	576	400	506	440	576	400	506
BIL 60240	600	400	550	350	185		650	560	450	360	540	376	500	306	540	376	500	306
BIL 60260	600	500	550	450	185		650	560	550	460	540	476	500	406	540	476	500	406

*All dimensions in mm

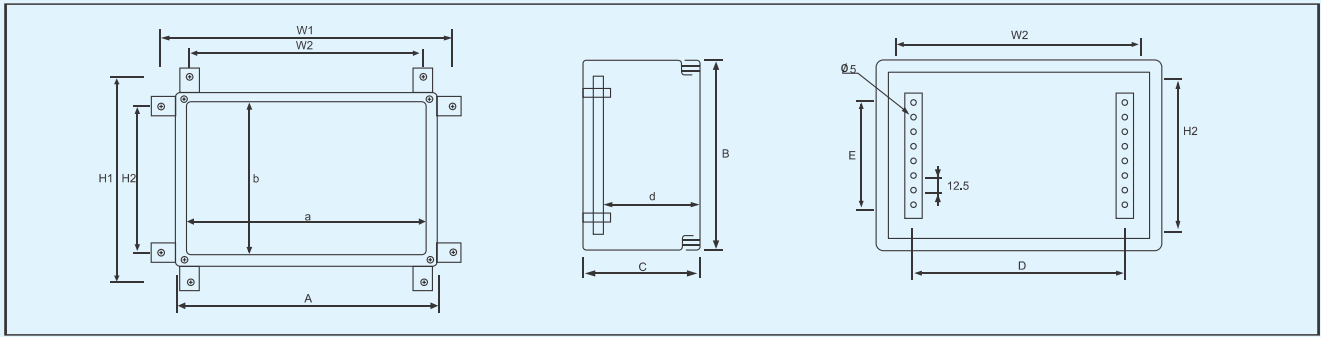


Terminal Boxes

- 43 standard variants
- Range : (W x H x D in mm) : 150 x 150 x 80 through 800 x 400 x 120
- Available in IP55/ IP66 -IK10 protection
- Fabricated from 1.2 mm CRCA sheet steel
- Foamed-in PU gasket
- Powder coated to shade RAL 7035
- Provided with screwed cover on top
- Hingeable door with knob type locking for all sizes possible on request [Under customized category]
- Two nos vertical mounting brackets provided as standard accessory
- Holes with grommet provided to facilitate cable entry in IP 55 terminal boxes
- Wall mounting brackets setd [4 brackets with fixing h/w] available as spare



Terminal Box IP 55 - Mounting Details



CAT. NO.	OVERALL SIZE					OPENING SIZE			MOUNTING POSITION							
	A	B	C	D	E	a	b	d	W1	W2	H1	H2				
BIL - 70000	150	x	150	x	80	x	75	x	75	125	125	63	190	110	190	110
BIL - 70010	300	x	150	x	80	x	225	x	75	275	125	63	340	260	190	110
BIL - 70020	200	x	200	x	80	x	25	x	125	175	175	63	240	160	240	160
BIL - 70030	300	x	200	x	80	x	225	x	125	275	175	63	340	260	240	160
BIL - 70040	150	x	150	x	120	x	75	x	75	125	125	103	190	110	190	110
BIL - 70050	300	x	150	x	120	x	225	x	75	275	125	103	340	260	190	110
BIL - 70060	200	x	200	x	120	x	25	x	125	175	175	103	240	160	240	160
BIL - 70070	300	x	200	x	120	x	225	x	125	275	175	103	340	260	240	160
BIL - 70080	400	x	200	x	120	x	325	x	125	375	175	103	440	360	240	160
BIL - 70090	300	x	300	x	120	x	225	x	225	275	275	103	340	260	340	260
BIL - 70180	400	x	300	x	120	x	225	x	225	375	275	103	440	360	340	260
BIL - 70190	400	x	400	x	120	x	325	x	325	375	375	103	440	360	440	360
BIL - 70200	500	x	200	x	120	x	425	x	125	475	175	103	540	460	240	160
BIL - 70210	500	x	300	x	120	x	425	x	225	475	275	103	540	460	340	260
BIL - 70220	600	x	200	x	120	x	525	x	125	575	175	103	640	560	240	160
BIL - 70230	600	x	300	x	120	x	525	x	225	575	275	103	640	560	340	260
BIL - 70240	600	x	400	x	120	x	525	x	325	575	375	103	640	560	440	360
BIL - 70250	800	x	200	x	120	x	725	x	125	775	175	103	840	760	240	160
BIL - 70260	800	x	400	x	120	x	725	x	325	775	375	103	840	760	440	360

*All dimensions in mm

Terminal Box IP 66 - Mounting Details

CAT. NO.	OVERALL SIZE					OPENING SIZE			MOUNTING POSITION							
	A	B	C	D	E	a	b	d	W1	W2	H1	H2				
BIL - 80000	150	x	150	x	80	x	75	x	75	125	125	63	190	110	190	110
BIL - 80100	200	x	150	x	80	x	125	x	75	175	125	63	240	160	190	110
BIL - 80010	300	x	150	x	80	x	225	x	75	275	125	63	340	260	190	110
BIL - 80020	200	x	200	x	80	x	25	x	125	175	175	63	240	160	240	160
BIL - 80030	300	x	200	x	80	x	225	x	125	275	175	63	340	260	240	160
BIL - 80110	400	x	200	x	80	x	325	x	125	375	175	63	440	360	240	160
BIL - 80130	600	x	200	x	80	x	525	x	125	575	175	63	640	560	240	160
BIL - 80040	150	x	150	x	120	x	75	x	75	125	125	103	190	110	190	110
BIL - 80150	200	x	150	x	120	x	125	x	75	175	125	103	240	160	190	110
BIL - 80050	200	x	150	x	120	x	225	x	75	275	125	103	340	260	190	110
BIL - 80060	200	x	200	x	120	x	25	x	125	175	175	103	240	160	240	160
BIL - 80070	300	x	200	x	120	x	225	x	125	275	175	103	340	260	240	160
BIL - 80090	300	x	300	x	120	x	225	x	225	275	275	103	340	260	340	260
BIL - 80170	400	x	150	x	120	x	325	x	75	375	125	103	440	360	190	110
BIL - 80080	400	x	200	x	120	x	325	x	125	375	175	103	440	360	240	160
BIL - 80180	400	x	300	x	120	x	325	x	225	375	275	103	440	360	340	260
BIL - 80190	400	x	400	x	120	x	325	x	325	375	375	103	440	360	440	360
BIL - 80200	500	x	200	x	120	x	425	x	125	475	175	103	540	460	240	160
BIL - 80210	500	x	300	x	120	x	425	x	225	475	275	103	540	460	340	260
BIL - 80220	600	x	200	x	120	x	525	x	125	575	175	103	640	560	240	160
BIL - 80230	600	x	300	x	120	x	525	x	225	575	275	103	640	560	340	260
BIL - 80240	600	x	400	x	120	x	525	x	325	575	375	103	640	560	440	360
BIL - 80250	800	x	200	x	120	x	725	x	125	775	175	103	840	760	240	160
BIL - 80260	800	x	400	x	120	x	725	x	325	775	375	103	840	760	440	360

*All dimensions in mm

'BCH - SS' (Stainless Steel)

- Fabricated from 1.2/1.5 mm stainless steel sheet
- Mounting Plate made up of 2.0mm Galvanised steel
- SS grade 304
- Foamed - in PU gasket
- Box upto BIL - 90405020 is made up of 1.2 mm SS & above of 1.5 MM SS.
- 120 deg door open-able concealed hinge door with cam locking arrangement.



Type	Size (WxHxD) mm	MOQ Nos.	Cat No.	List Price Rs.
SINGLE DOOR BOX	200X300X150	10	BIL-90203015	Please refer price list
SINGLE DOOR BOX	300X300X200	10	BIL-90303020	
SINGLE DOOR BOX	400X400X200	10	BIL-90404020	
SINGLE DOOR BOX	400X500X200	10	BIL-90405020	
SINGLE DOOR BOX	400X600X200	10	BIL-90406020	
SINGLE DOOR BOX	500X600X200	10	BIL-90506020	
SINGLE DOOR BOX	600X600X200	10	BIL-90606020	
SINGLE DOOR BOX	600X800X200	10	BIL-90608020	
SINGLE DOOR BOX	500X700X300	10	BIL-90507030	
SINGLE DOOR BOX	800X800X300	10	BIL-90808030	

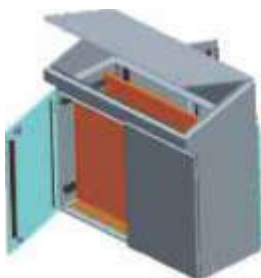
MOQ - Minimum order quantity in nos.
 Note - SS grade 304

Highlights of BCH MCC / PCC Cubicle

- 100% Modular Structure; can be dispatched into flat pack.
- Flexible Horizontal / Vertical busbar and Cable Compartment Configuration.
- Compartmentalised - upto Form 4.
- IP 54 with polyurethane foam gasketing.
- Doors available in height of 200mm & multiplies of 100mm.
- Horizontal Busbar chambers, Vertical cable chambers are provided with Individual bolted cover
- Rear bolted covers.
- Plinth (modular) & Side cover (Optional.).
- Wide Variety of Standard MCC range.
- Additional accessories like Cable support, Busbar Support and Baying kit are available.
- Double front execution can also be provided.
- Lifting Channel provided as standard (instead of Eye-bolts) for higher load-carrying capacity.
- Adjustable (Depth wise at the pitch of 25mm) mounting plates.
- Bus Bar chamber (Top / Bot) and Feeder doors (Left / Right) are interchangeable.
- Doors are open able with hinges for 120 degree opening and Metal locks.
- Panel can be expanded in all 3 dimensions and bayed together by using Baying Kit.
- All cornerbars and crossbars can be placed at 25mm intervals horizontal, vertical, longitudinal.
- Horizontal & vertical separation plates are provided between all feeder compartments.
- Colours: RAL-7035 (structure finish) for structure, covers & doors. RAL-2000 (smooth finish) for Mtg. Plate, RAL-9000 (smooth finish) for Plinth and lifting channel.
- Sheet thickness 2.0mm GPSP for Structure, 2.0mm CRCA for mtg plate & mtg rail, 1.6mm CRCA for Covers & Doors, 1.2mm CRCA for Separation Plates.



BCH Control Desk





100%
Bolted

Modular Enclosures

Contemporary, highly flexible modular enclosure system for versatile applications. Ideally suited for AC Drives / Automation Control / Power Distribution and for Industrial Controls. Apart from standard Form-1 configuration, also possible to offer semi / fully compartmentalised options upto Form 3b that facilitates adaptability for MCCs, PDBs, APFC control, etc. As the name suggests the construction is fully modular and offers flexibility of flat pack shipment. There is a separate robust subframe, covered with Doors and Covers protected against ingress by highly resilient foamed-in PU gasket. The mounting plate with high load bearing capacity is depth adjustable

The design incorporates user friendly features and accessories, viz.

- (a) Adjustable support members
- (b) Removable doors and covers
- (c) Gland plate
- (d) Lifting eye bolts (lifting channel for extra wide enclosures)
- (e) Baying kit (for joining adjacent enclosures)
- (f) Wiring plan pocket
- (g) Modular plinth
- (h) Bolted stiffener for door
- (i) Robust 3 point locking for doors
- (j) Possibility of offering Louvers with filters, Fans, Limit switch, Multipart mounting plate, AVM pads, and 19" angle adaptors
- (k) All along the internal sub frame, there is M6 tapping every 25mm that offers unmatched flexibility of site fixing of various accessories, supports, brackets, fittings, etc. without need of hole drilling

General Technical Particulars:

- IP54/ IP55 -IK10 protection
- Fabricated from 2/1.6 mm CRCA/GPSP (frame made up of 2.0mm GPSP, doors & covers made up of 1.6 mm CRCA).
- Mounting plate 3mm thick - standard & Powder Coated to RAL- 2000
- Plinth (optional) 100mm high fabricated from 2mm
- Cable entry provision is given from bottom as standard
- Foamed-in PU gasket.
- Powder coated to RAL: 7035 structure finish.
- Hinge design allows 120 deg. Door opening.
- 3 Point lock provided as standard.
- Door Stiffener with provision of drilling holes for wiring harness.
- Side Covers- pair: consisting of 1no. LHS and 1 no. RHS cover
- Upto 800 mm width single door. 1000 mm & 1200 mm width double door.

TCE Series Enclosure

IP66 | IP65 | IK10 | C E



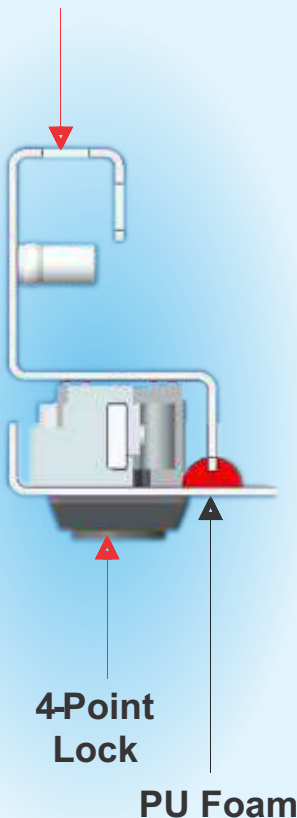
TCE Series

Rigid and highly flexible modular enclosure series for versatile application. Ideally suited for Industrial automation / Drives / Power transmission and distribution / Special purpose machines.

TCE Series offers IP66-IK10 protection for single door enclosure and IP65-IK10 protection for double door enclosure.

Robust profile with 25mm hole pattern and joined together with uniform diagonal accuracy. Door and covers protect dust and water by highly resilient foamed PU gasket. The Mounting plate with high load bearing capacity is depth adjustable with sliding provision.

PROFILE



Material of TCE Series Enclosure

Frame: 2.0mm Painted Steel

Door: 2.0mm Painted Steel

Rear, Top and Side panes: 1.6mm painted steel

Mounted Plate: 3.0mm painted steel/3.0mm GI on request

Bottom Gland Plate: 2.0mm Galvanized Steel

Surface finish: RAL-7035 to enclosure and
RAL-2000 to mounting plate

The Design incorporate user friendly features

- Removable Door and covers
- Door with Inter changeability features (LHS/RHS)
- 4-point locking for doors
- Separate locking at LHS door with swing handle for Double door
- Bolted Stiffener for door with powder coating
- 3-Part Gland plate
- Eye bolt for lifting
- Modular plinth (optional) 100mm Height
- Side panel (optional) removable type

Techno Racks



Networking Racks

BCH's floor standing racks are the most versatile rack platform. It enables easy mounting of the component to fit into your applications. From consistent Steel profiles to precision-engineered panels with the highest tolerances for fit and finish in the industry, the racks are simply the finest Indian modular racks available; in big range of sizes for single and baying applications.

The Networking racks come with front glass door, rear door and side covers partially perforated for cross flow of ambient air. The recess rails give flexibility of placing the 19" channels from front to rear at a pitch of 25mm.

Wall Mounting Enclosure/Cabinet

Simplicity of the design with various size variants gives more choices for selection. The "Ready to use" enclosures make it more easy. The sleek look with sturdy construction and vents for air circulation mean that these enclosures can be used for various wall mounting applications.

Server Racks

Our elegant, robust server rack structure has appropriate suitability for rack mounting heavy-duty servers. The vents for airflow have been given top attention for the cross flow of ambient air to cool down the servers. Provision for ventilation is given from front to rear and roof as well. BCH 19" floor standing racks offer the best solution in terms of suitability and value for money. BCH floor standing racks are used to keep servers and other active IT equipments in systematic, secure and consolidated manner.

ETSI Racks

BCH also offers racks as per the ETSI standard. These racks are mainly used for telecom application. They are available in 2200mm height with 2 depths of 300mm and 600mm.

- Power Control Products
- Starters & Submersible Pump Starters
- Industrial Enclosures
- Industrial Products
- Wires & Cables
- Motor Control Products
- Power Bus Duct
- Customised Solution
- Automation

a strong commitment to serve better always ...



BCH ELECTRIC LIMITED



www.bchindia.com



1800-103-9262

customercare@bchindia.com

Visit us at : www.bchindia.com

Corporate Office : 1105, New Delhi House, 27, Barakhamba Road, New Delhi-110 001 Tel. : 91-11- 43673100

CIN : U31103WB1965PLC026427, **Customercare No.** 1800-103-9262, **E-mail :** marketing@bchindia.com

Registered Office : Block 1E, 216, Acharya Jagadish Chandra Bose Road, Kolkata - 700 017

Works 1 : 20/4, Mathura Road, Faridabad -121 006 (Haryana) Tel. : 0129-4063000/4293000 Fax : 0129-2304016

Works 2 : 64-68, Sector-7, IIE, Pant Nagar, Rudrapur, Udham Singh Nagar - 263 153 (Uttarakhand) Tel. : 05944-250214/16 Fax : 05944-250215

Sales Offices :

Ahmedabad
401, Shilp Zeveri,
Beside Shyamal Iconic,
Above Westside,
Shyamal Cross Road,
Ahmedabad - 380015
Tel. : 079-26589719
E-mail: ahmedabad@bchindia.com

Bangalore
2nd Floor, 130/5,
K.H. Road (Double road),
Bangalore - 560 027
Tel. : 080-41144879 / 22236759
E-mail : bangalore@bchindia.com

Bhubaneswar
Mallick Commercial
Complex Plot No.: A/69, unit - 3
Bhubaneswar - 751 001
Tel. : 0674-2380988
E-mail: bhubaneswar@bchindia.com

Chandigarh (Panchkula)
SCO -129, 2nd Floor,
MDC, Sector-5 Panchkula,
Haryana-134 114
Tel.: 0172-5078957 / 5049905
E-mail: chandigarh@bchindia.com

Chennai
Flat No. 3A, 3rd Floor,
Sree Apartments,
No.508, TTK Road,
Alwarpet, Chennai 600 018
Tel.: 044-24337046, 24337047
E-mail : chennai@bchindia.com

Coimbatore
87, Dr. Nanjappa Road,
Coimbatore - 641 018
Tel. : 0422-2305311 / 2302599
E-mail : coimbatore@bchindia.com

Delhi 1
801, Akash Deep Building,
26A, Barakhamba Road,
New Delhi - 110 001
Tel. : 011-23313878 / 43518200
E-mail : delhi@bchindia.com

Delhi 2
710, Deepali Building, 92
Nehru Place, New Delhi - 110 019
Tel. : 011-45720334
E-mail : delhi2@bchindia.com

Dehradun
8, Co-operative Industrial Estate,
Patel Nagar, Dehradun-248001
E-mail : dehradun@bchindia.com

Faridabad
20/4, Mathura Road,
Faridabad - 121 006 (Haryana)
Telfax : 0129-4293009
E-mail : faridabad@bchindia.com

Hyderabad
1-8-303/48/13/102, Arya One,
2nd Floor, P. G. Road,
Secunderabad - 500 003
Tel. : 040-66206263/27890306
Fax : 040-66207273
E-mail : hyderabad@bchindia.com

Indore
330-331, Indraprastha Tower,
3rd Floor, 6, M.G. Road,
Indore - 452 001
Tel. : 0731-2510011 / 2510012
E-mail : indore@bchindia.com

Jaipur
25, Hathroi, Gopalbari,
Jaipur - 302 001
Tel. : 0141-2363521
E-mail : jaipur@bchindia.com

Jamshedpur
3rd Floor, Aastha Trade Centre,
'Q' Road, Bistupur,
Jamshedpur - 831 001
Tel. : 0657-2321097/2321481
E-mail : jamshedpur@bchindia.com

Kolkata
Block 1E, 216,
Acharya Jagadish Chandra Bose Road,
Kolkata - 700 017
Tel. : 033-22871728 / 46021884
E-mail : kolkata@bchindia.com

Lucknow
Madan Plaza, 3rd Floor,
14, Station Road,
Lucknow - 226 001
Tel. : 0522-4025597/4025997
E-mail : lucknow@bchindia.com

Ludhiana
S.C.O. - 18, 2nd Floor,
Feroze Gandhi Market,
Ludhiana - 140 001
Tel. : 0161-5021807/5022808
E-mail : ludhiana@bchindia.com

Mumbai
A-151, Mittal Tower,
Nariman Point,
Mumbai - 400 021
Tel. : 022-22822947/22850162
Fax : 022-22822858
E-mail : mumbai@bchindia.com

Pune
8, Sarosh Bhavan,
16-B/1, Dr. Ambedkar Road,
Pune - 411 001
Tel. : 020-41210002
E-mail : pune@bchindia.com

Raipur
6th Floor, Office No. 607,
Babylon Capital, Near Oswal
Petrol Pump, VIP Chowk,
G.E. Road, Raipur - 492 006
Tel. : 0771-4045053
E-mail : raipur@bchindia.com

Trichy
2B, Kannagi Street,
Ayyappa Nagar, K.K.Nagar
Trichy - 620 021, Tamilnadu
Tel. : 0431-4040497
E-mail: trichy@bchindia.com

Vadodara
301, Third Floor, "Florence Classic",
10, Ashapuri Co-Op. Hsg. Soc. Ltd., Opp. VUDA Housing,
Near Cow Circle, Akota, Vadodara - 390 020
Tel. : 0265-2345068/2345069
Telefax : 0265-2345068,
E-mail : vadodara@bchindia.com

Other Branch Locations

Cochin : cochin@bchindia.com, **Guwahati :** guwahati@bchindia.com, **Vishakapatnam :** vizag@bchindia.com, **Surat :** surat@bchindia.com

Resident Engineer Locations

Anantapur	Kanpur	Nashik	Salem	Yamunanagar
Bhopal	Katni	Patna	Siliguri	
Calicut	Karimnagar	Puducherry	Surat	
Gurgaon	Kota	Rajkot	Tirunelveli	
Jalandhar	Midnapur	Ranchi	Udaipur	
Jalgaon	Muzaffarnagar	Rourkela	Vapi	
Jodhpur	Nagpur	Rudrapur	Vijayawada	