



Contactors & Overload Relays



intelli CONTROL
intelligent control

RANGE



Capacitor Duty Contactors

Description

Capacitor unit(Pre-loading resistor) is connected to the terminals of the contactor to reduce the high inrush current exceeding $20 \times I_n$.

- AC or DC control coil on selection
- 3-pole(NO) main contact
- Finger proof design
- DIN rail or screw mountable

Rating

Type	Maximum operating power (kvar)			Rated current (A)	Contactor Frame
	220 ~ 240V	400 ~ 440V	600~690V		
IC097CC	5	9.7	14	14	18AF
IC125CC	6.7	12.5	18	18	18AF
IC167CC	8.5	16.7	24	24	18AF
IC180CC	10	18	26	26	22AF
IC250CC	15	25	36	36	40AF
IC333CC	20	33.3	48	48	40AF
IC400CC	20	40	58	58	65AF
IC457CC	25	45.7	66	66	65AF
IC540CC	29.7	54	78	78	100AF
IC600CC	35	60	92	92	100AF
IC620CC	37	62	94	94	100AF

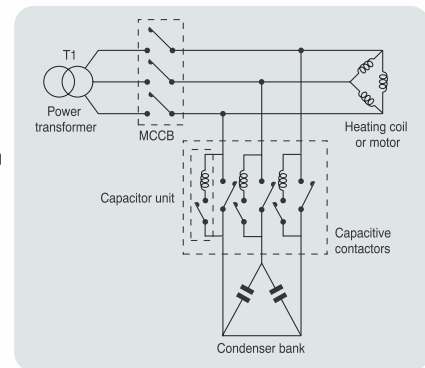
Note) - When the switch is closed condenser must be discharged before recharged. (Maximum residual voltage at terminals $\leq 50V$)
 - To prevent short current, gG type fuse must be 1.5-2 times than rated current.

Features of capacitor unit (Pre-loading resistor)

These capacitive contactors are suitable for switching single-step or multiple-step condenser bank. It is standardized by IEC-60947-4941, UL and CSA.

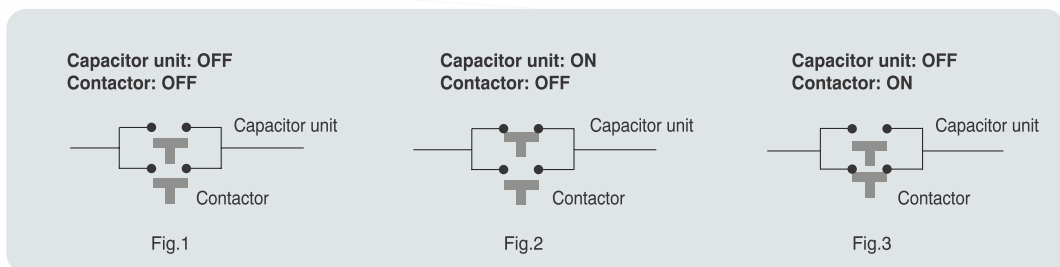
Features of capacitor unit(Pre-loading resistor)

- Damping resistor that can limit the inrush current upto $60 \times I_n$ is connected to the mechanism that closes earlier than the main contact of the contactor
- No heat loss by the serial resistor
- Eliminate the switching surge
- Improving the performance of the capacitor system



Example

Operation sequence



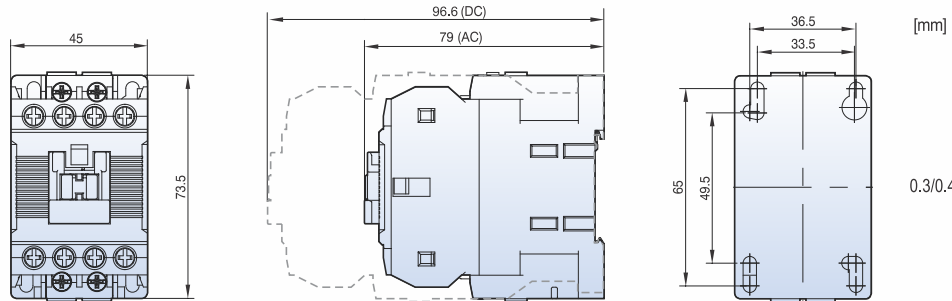
Note) Closing sequence: Fig.1 => Fig.2 => Fig.3
 Opening sequence: Fig.3 => Fig.1



Dimensions (3Pole)

Power Contactors (IC-6a~100a)

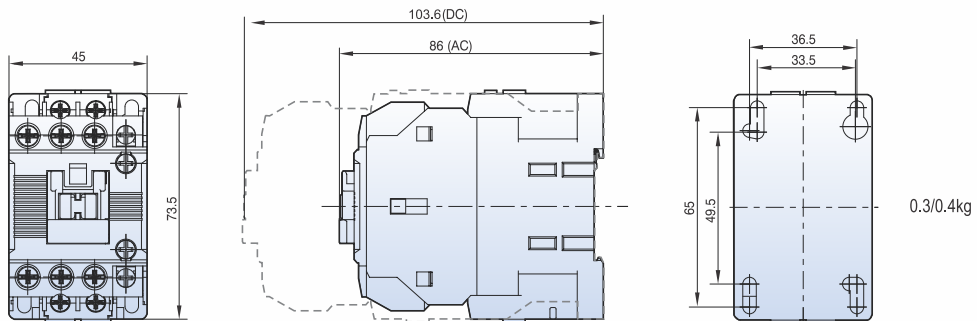
IC-6a~18a AC/DC



[mm]

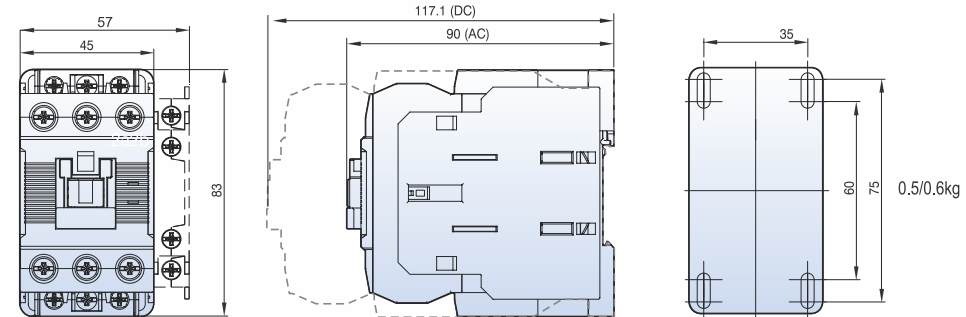
0.3/0.4kg

IC-9b~22b AC/DC



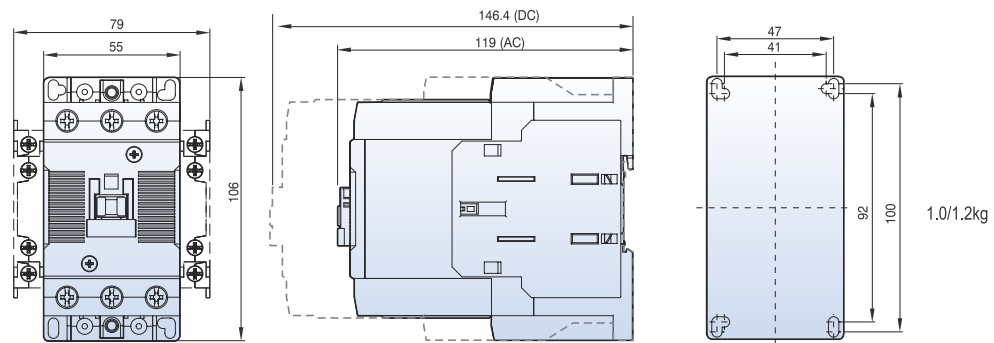
0.3/0.4kg

IC-32a~40a AC/DC



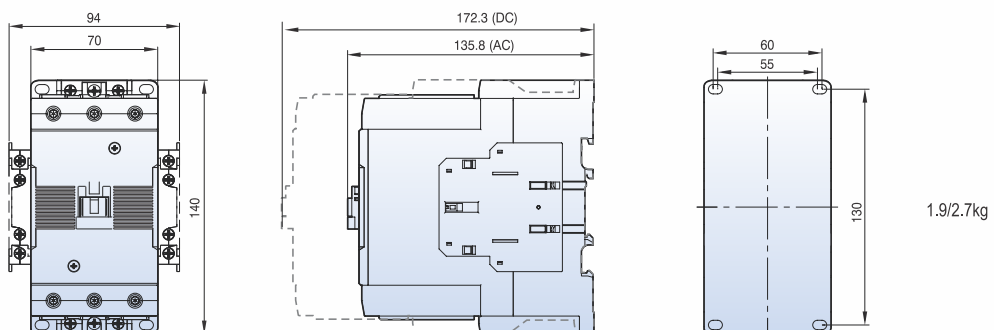
0.5/0.6kg

IC-50a~65a AC/DC



1.0/1.2kg

IC-75a~100a AC/DC



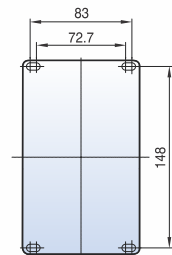
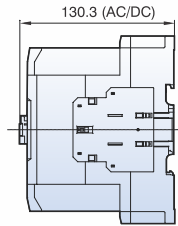
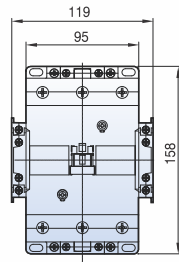
1.9/2.7kg



Dimensions (3Pole)

Power Contactors (IC-130a~800a)

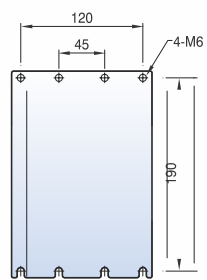
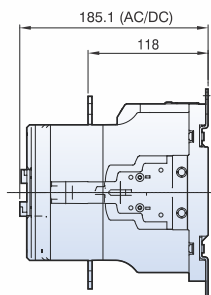
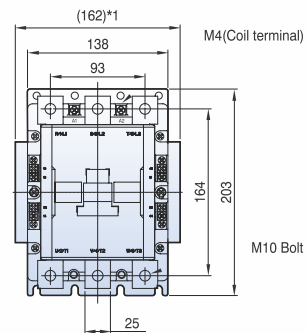
IC-130a~150a AC/DC



[mm]

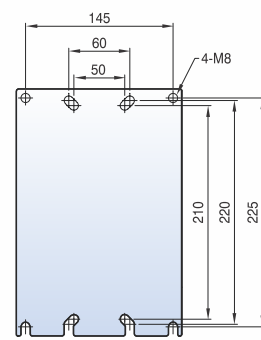
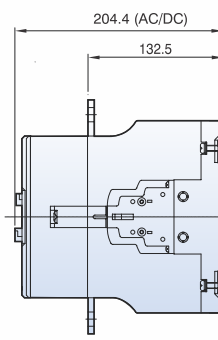
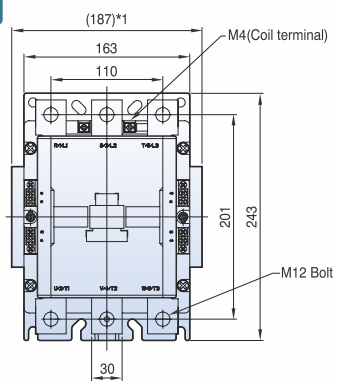
2.4kg

IC-185a~225a AC/DC



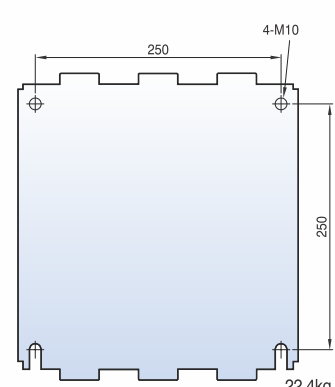
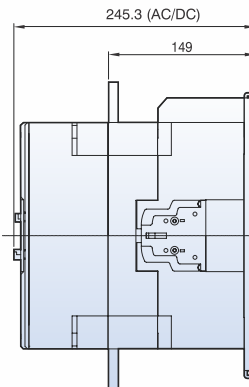
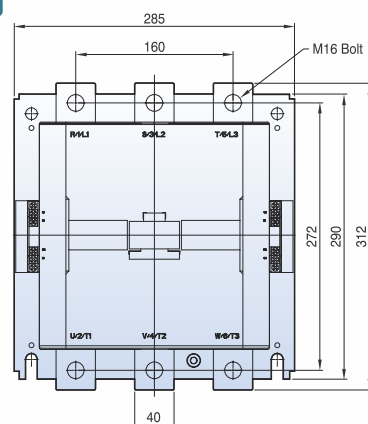
5.4kg

IC-265a~400a AC/DC



9.2kg

IC-500a~800a AC/DC



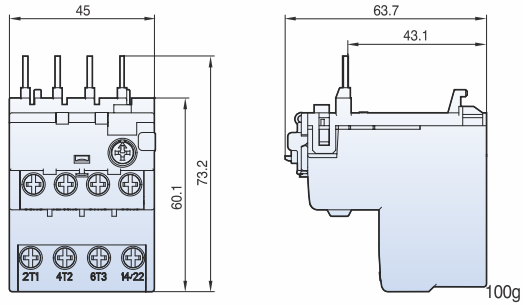
22.4kg



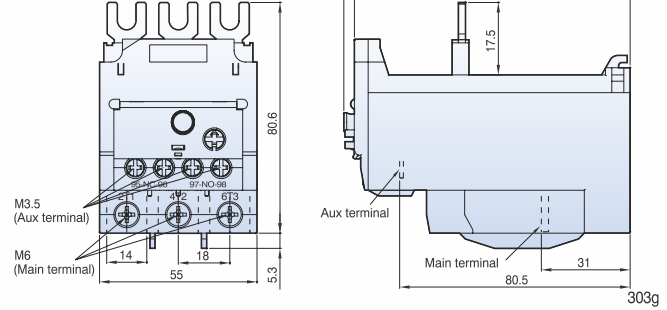
Dimensions (TOR)

Overload Relays

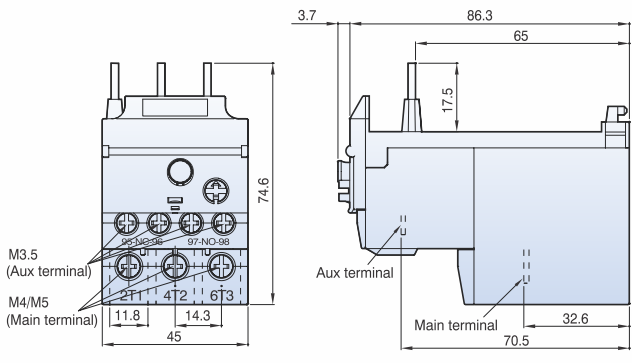
IT-12



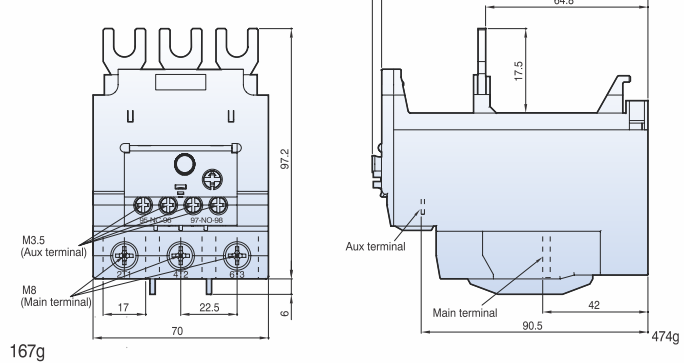
IT-63



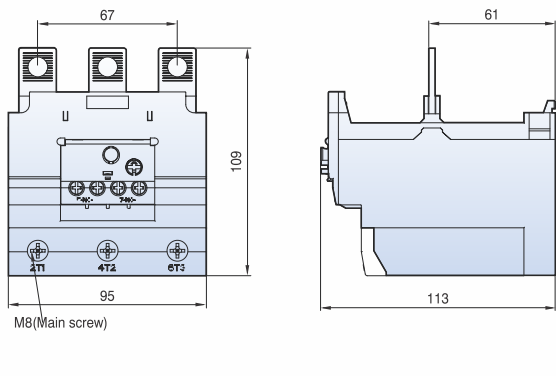
IT-32



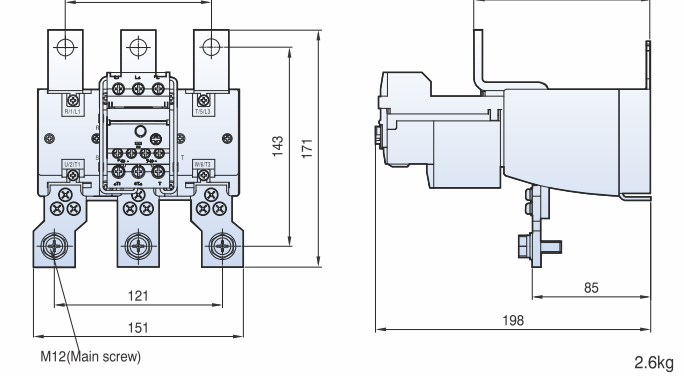
IT-95



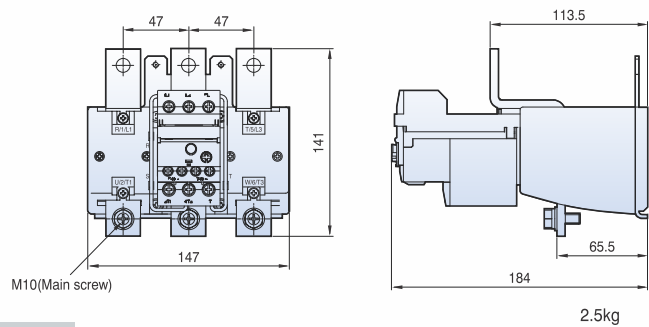
IT-150



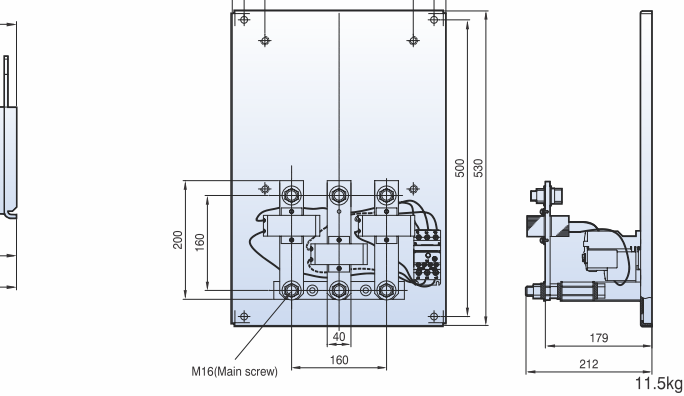
IT-400



IT-225



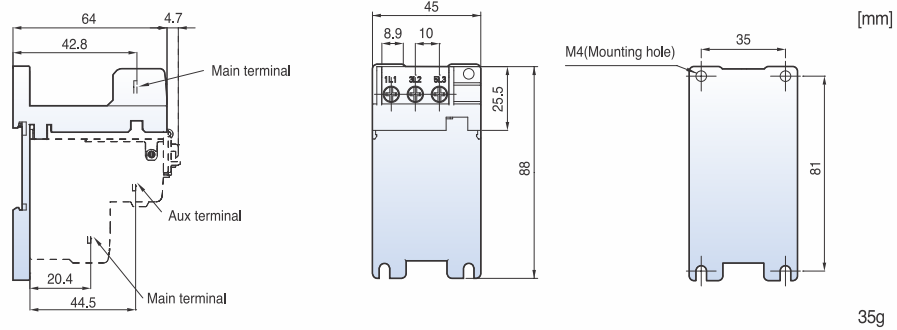
IT-800





Dimensions (TOR) Separate Mounting Units

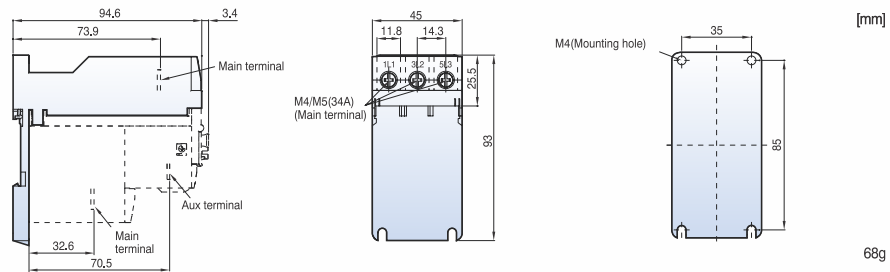
IUZ-12



[mm]

35g

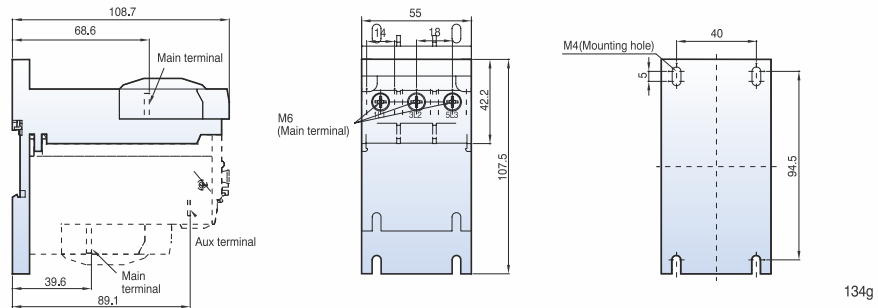
IUZ-32



[mm]

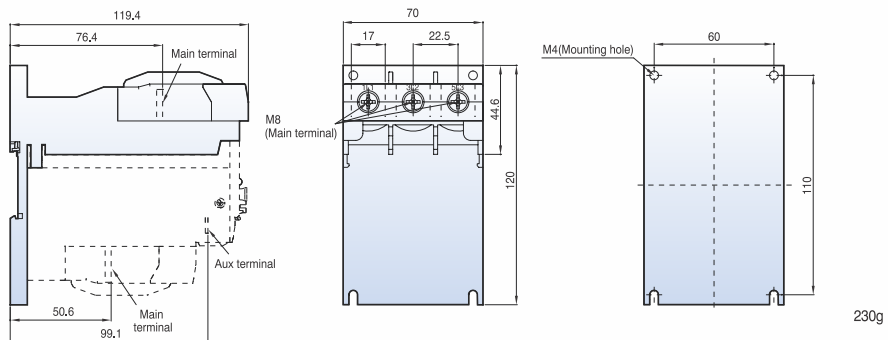
68g

IUZ-63



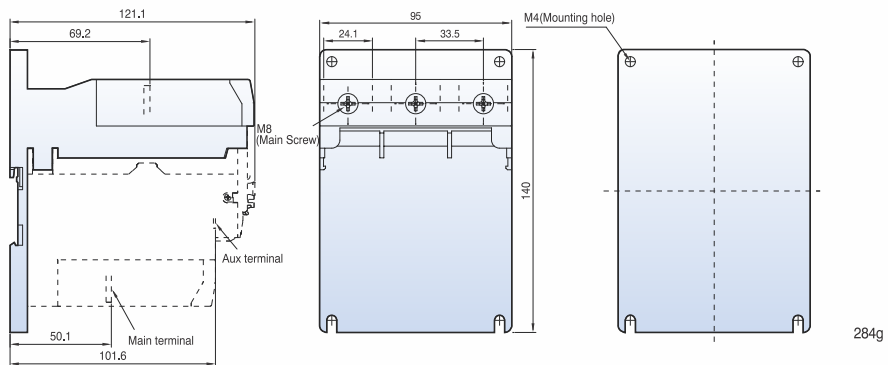
134g

IUZ-95



230g

IUZ-150



284g



Dimensions (3Pole)

Capacitor Duty Contactors (IC-097CC~620CC)

