

MARSHAL

INDUSTRIAL PLUG & SOCKET



Electrical Features

- **Approved** : The product has been thoroughly tested and approved by
 1. Electrical Research and Development Association, (ERDA)-Baroda AS PER = IEC-309-1=1988.
 2. Government of Gujarat L.D. College of Engineering (Department of electrical engineering) AHMEDABAD AS-PER=IS-4160=1967.
- Plugs and sockets are designed to overcome all short comings of the conventional type of plugs and sockets.
- Having silver tipped, spring loaded, self wiping, butt type contacts.
- Reasonably low contact resistance assuring negligible temperature rise.
- Spring loaded terminals are capable of holding copper as well as aluminium conductors under pressure.
- No possibility of loose contacts or connections arising out of vibrations, continuous heating etc.
- All metal parts are earth connected.
- Negligible voltage drop occurs when it is operated at rated current.
- Non deteriorating contact carrying surface.
- Reliability and durability of silver contacts assured against temperature rise.
- The easy inter changeability of interiors enables many different arrangement and therefore plugs and sockets can be used on 1-ph and 3-ph power supply.

Mechanical Features

- Robust construction, non ignitable materials used, highly resistive to water and non-corrosive against humidity..
- The socket is fitted with a strong spring closed gasketed cover making the unit suitable for outdoor use.
- The plug can not be pulled out of the socket by its cable or fall out due to positive bayonet type fitting.
- Suitability of providing the socket on conduit box.
- Plugs and sockets have butt type contacts where the contact pressure is parallel to the forces required to insert and remove the plug.
- As contact force is directly opposite to that required to insert the plug, the contact pressure springs assist the removal of plug from the socket.
- Clearances and creep age of live contacts are more than 3 mm.
- Screws in metal or in insulation can be tightened and loosened repeatedly without damaging the threadings.
- Sockets are available for panel mounting as well as for wall mounting.
- Plugs are available with inclined handle as well as with straight handle.
- All mechanical parts are tested and approved by ERDA Baroda and Govt. of Guj., Ahmedabad.

MARSHAL

INDUSTRIAL PLUG & SOCKET

Electrical & Mechanical Ratings

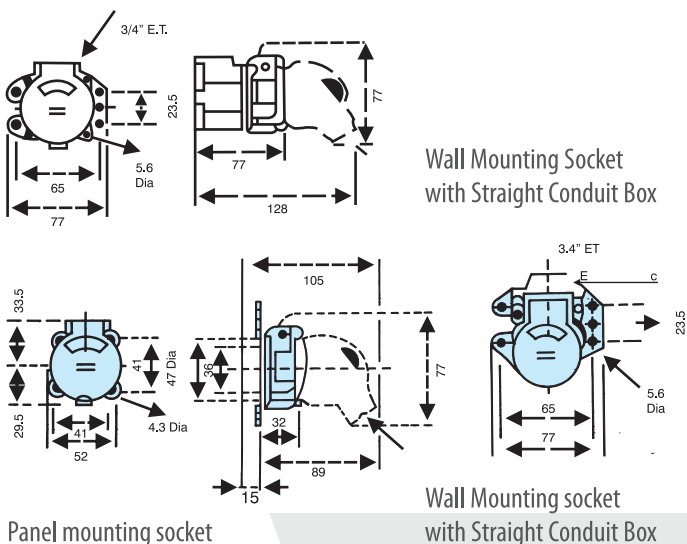
	Plug & Socket for use on power circuits	Plug & Socket for use on control circuits
Contact options	2P + E 1P + E + N 3P + E 3P + E + N	Upto 12 contacts
Rated voltage	500V AC & DC	500V AC & DC
Thermal current (Ith)	30 A (Copper cable) 20 A (Al.cable)	12 A (Copper cable) 8 A (Al.cable)
Contact resistance	Less than 1 milli Ohm	Less than 1 milli Ohm
Contact pressure	1.2 kg (min.) 1.35 kg (max.)	1 kg (min.) 1.15 kg (max.)
Mechanical & Electrical life	10.000 operations	15.000 operations
Conduit entry	3/4" dia	3/4" dia
Terminal capacity	6 mm ²	1.5 mm ²
Terminations	Spring loaded	Solder type

Note = P,E & N denotes pole earth & neutral respectively.

Weights

5 pin plug = 150 gms	12 pin plug = 130 gms
5 pin socket = 200 gms	12 pin socket = 130 gms

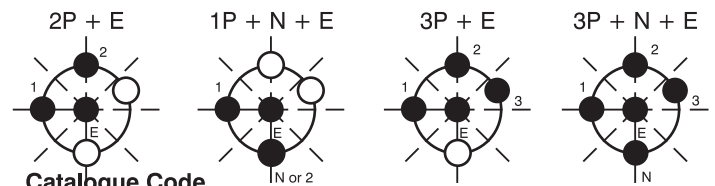
Power Circuit Application



Electrical & Mechanical Ratings

POWER CIRCUIT APPLICATIONS

Contact Options



Catalogue Code

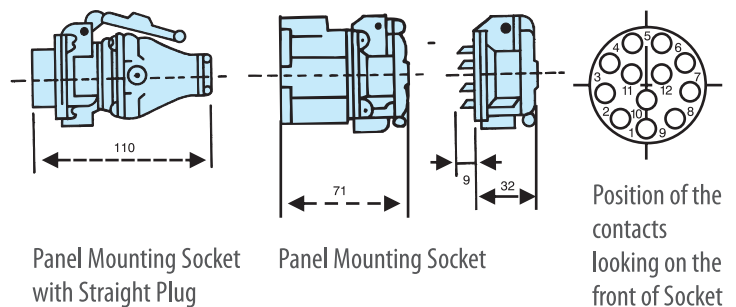
	3 PIN	4 PIN	5 PIN
Panel mounting socket	33-S	44-S	55-S
Plug with inclined handle	33-IH	44-IH	55-IH
Plug with straight handle	33-SH	44-SH	55-SH

CONTROL CIRCUIT APPLICATIONS

No. of 12 pin contacts

Panel Mounting Socket	112-S
Plug with Inclined Handle	112-IH
Plug with Straight Handle	112-SH

Control Circuit Application



The company policy is one of continuous development and improvement, therefore the company reserves the right to supply products which may differ slightly in detail from those described and illustrated in this catalogue. We will solicit your special type of specification's inquiry.

Manufactured By :
SAKET ENGINEERING
GUJARAT, INDIA

Authorised Dealer :