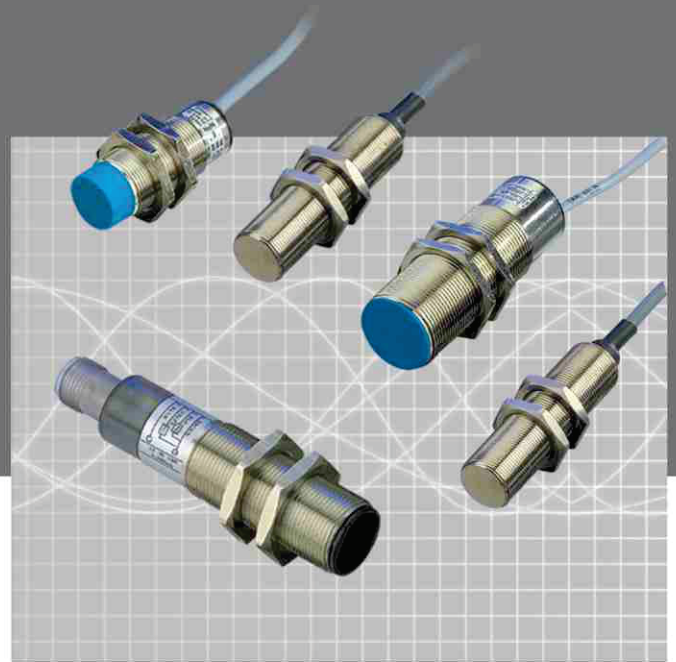
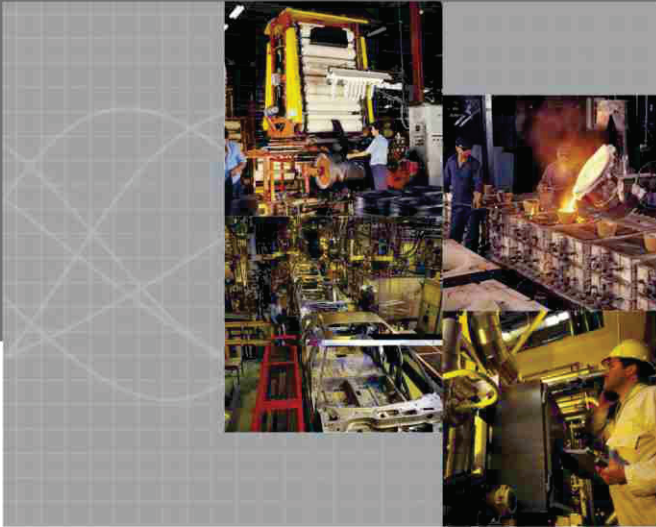


@PROX



ELECTRONIC SENSORS



BCH ELECTRIC LIMITED



@PROX[®] Electronic Sensors

- Wide range of high performance Inductive, Capacitive & Photo Sensors.
 - Applicable Standards :
 - IS-13947
 - EN-61000-3-3 & EN-61000-3-4
 - CSA-22.2 NO. 14-95
 - Utilisation Category :
 - DC 13 As per IEC 60947-5-2
- @PROX Sensors for all manufacturing sectors.
 - @PROX Sensors for every process industry requirement.
 - @PROX Sensors for plant automation.
 - @PROX Sensors for best quality, efficiency & safety.

Inductive Proximity

Standard Version

- Sizes/Diameters : M8, M12, M18 & M30
- Switching Distance : 1.5mm to 15mm
- Models with Standard 2 meter cable or connector
- Wide range of outputs (PNP/NPN/DC 2 WIRE / AC 2 WIRE)
- Available in Flush/Non Flush version
- Standard 65mm length
- Short length (45mm) also available in M8, M12, M18 DC models
- M18 Linear Output Sensors (0-10V / 4-20 mA DC)

Special Version (On request)

- Sizes/Diameters : M4, M6, M10, M14, M16, M20, M22, M24, M36, M42, M50, M55, M60 & M80
- Namur Sensors
- Non Ferrous Inductive Proximity switches
- Inductive Proximity (Square/Slot/Rectangular shape)
- Sensing Distance : upto 40mm
- High Temperature Models operating upto 125°C



Capacitive Proximity

Standard Version

- Sizes/Diameters : M18 & M30
- Available in 3 wire DC version (with 1 NO contact configuration) upto 15mm Sensing Distance
- Available in AC (2 wire version)
- Sensitivity adjustment through multi turn trimmer

Special Version

- Sizes/Diameters : M12, M24, M30, M50 & M60
- Connector Version available in M30, M50
- High Temperature Models with operating Temperature upto 125°C
- Available in Square shape in sizes 112x40x40; 118x40x40; 120x50x50

Photo Electric

- Sensing range : 20cm to 5m
- M18 Cylindrical Photoelectric Sensors
- Diffuse Reflective
- Retro Reflective
- Thru Beam Emitter-Receiver
- Models with cable or connector output



... also available

- Photo Sensors in Rectangular Housing



Inductive Proximity

M8

M12

	SHIELDED	NON-SHIELDED	SHIELDED	NON-SHIELDED
Nominal Sensing Distance (S _n)	1.5 mm	2 mm	2 mm	4 mm
S _n Tolerance	± 10%		± / -10%	
Operating Frequency	1500 Hz		1000 Hz (DC); 15 Hz (AC)	
Supply Voltage	12-30V DC		12-30V DC; 240V AC/110 V AC	
Hysteresis	≤ 10%		≤ 10%	
Repeatability	≤ 2%		≤ 2%	
Max. Output Current	100 mA		200 mA	
Output Indication	LED		LED	
Leakage Current (Load)	Max. 10µA (DC)		Max. 10µA (DC)	
Operating Temperature	0 to +55°C		0 to +55°C	
Protection Degree	IP 67		IP 67	
Protections	Reverse Polarity		Provided	
	Short Circuit		Provided	
	False Pulse		Provided	
	Transient Noise		Provided	
Housing	SS 304		Nickle Plated Brass	
Marks	CE		CE	
Output (NO/NC)	3 Wire DC; 2 Wire AC		3 Wire DC; 2 Wire AC	



Inductive Proximity

M18

M30

	SHIELDED	NON-SHIELDED	SHIELDED	NON-SHIELDED
Nominal Sensing Distance (S _n)	5 mm	8 mm	10 mm	15 mm
S _n Tolerance	± / -10%		± / -10%	
Operating Frequency	500 Hz (DC); 15 Hz (AC)		200 Hz (DC); 15 Hz (AC)	
Supply Voltage	12-30V DC; 240V AC/110 V AC		12-30V DC; 240V AC/110 V AC	
Hysteresis	≤ 10%		≤ 10%	
Repeatability	≤ 2%		≤ 2%	
Max. Output Current	200 mA		400 mA	
Output Indication	LED		LED	
Leakage Current (Load)	Max. 10µA (DC)		Max. 10µA (DC)	
Operating Temperature	0 to +55°C		0 to +55°C	
Protection Degree	IP 67		IP 67	
Protections	Reverse Polarity		Provided	
	Short Circuit		Provided	
	False Pulse		Provided	
	Transient Noise		Provided	
Housing	Nickle Plated Brass		Nickle Plated Brass	
Marks	CE		CE	
Output (NO/NC)	3 Wire DC; 2 Wire AC		3 Wire DC; 2 Wire AC	

* Special Versions : 1 NO + 1 NC output (4 Wire) Sensors are available on request



Capacitive Proximity

M18

M30

	SHIELDED	NON-SHIELDED	SHIELDED	NON-SHIELDED
Nominal Sensing Distance (S)	2 to 5 mm	2 to 10 mm	2 to 10 mm (DC) 3 to 10 mm (AC)	2 to 15 mm (DC) 3 to 15 mm (AC)
S _n Tolerance	± 10%		± 10%	
Operating Frequency	25 Hz (DC); 15 Hz (AC)		25 Hz (DC); 15 Hz (AC)	
Supply Voltage	12-30V DC; 240V AC/110V AC		12-30V DC; 240V AC/110V AC	
Hysteresis	≤ 15%		≤ 15%	
Repeatability	≤ 2%		≤ 2%	
Max. Output Current	400 mA		400 mA	
Output Indication	LED		LED	
Leakage Current (Load)	Max. 10µA (DC)		Max. 10µA (DC)	
Operating Temperature	0 to +55°C		0 to +55°C	
Protection Degree	IP 67		IP 67	
Protections	Reverse Polarity		Provided	
	Short Circuit		Provided	
	False Pulse		Provided	
	Transient Noise		Provided	
Housing	Nickle Plated Brass		Nickle Plated Brass	
Marks	CE		CE	
Output (NO/NC)	3 Wire DC; 2 Wire AC		3 Wire DC; 2 Wire AC	

* Special Versions : DC-4 Wire version on request

DC 2 Wire Inductive Proximity Sensors

	M8		M12		M18		M30	
	Shielded	Non Shielded	Shielded	Non Shielded	Shielded	Non Shielded	Shielded	Non Shielded
Nominal Sensing Distance (S)	1.5 mm	2 mm	2 mm	4 mm	5 mm	8 mm	10 mm	15 mm
S _n Tolerance	± 10%		± 10%		± 10%		± 10%	
Operating Frequency	1500 Hz		1000 Hz		500 Hz		200 Hz	
Supply Voltage	12-30V DC		12-30V DC		12-30V DC		12-30V DC	
Hysteresis	≤ 10%		≤ 10%		≤ 10%		≤ 10%	
Repeatability	≤ 2%		≤ 2%		≤ 2%		≤ 2%	
Max. Output Current	100 mA		200 mA		400 mA		400 mA	
Voltage Drop Across switch*	≤ 4.5V		≤ 4.5V		≤ 4.0V		≤ 4.0V	
Output Indication	LED		LED		LED		LED	
Operating Temperature	0 to +55°C		0 to +55°C		0 to +55°C		0 to +55°C	
Protection Degree	IP 67		IP 67		IP 67		IP 67	
Protections	Reverse Polarity		Provided (PTC Based)		Provided		Provided	
	Short Circuit		Provided		Provided		Provided	
	False Pulse		Provided		Provided		Provided	
	Transient Noise		Provided		Provided		Provided	
Housing	SS 304		Nickle Plated Brass		Nickle Plated Brass		Nickle Plated Brass	
Marks	CE		CE		CE		CE	
Output (NO/NC)	2 Wire DC		2 Wire DC		2 Wire DC		2 Wire DC	

* Under test condition



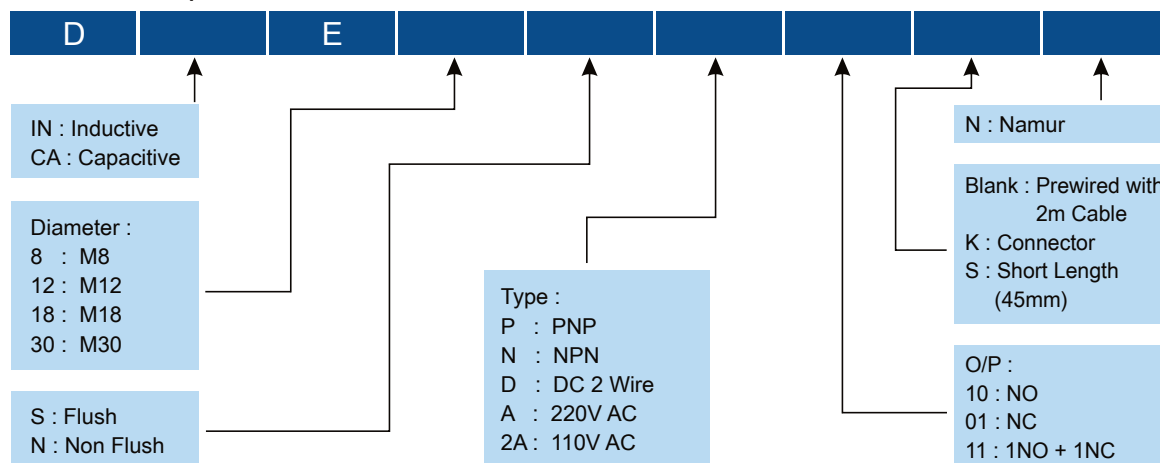
Photoelectric Sensors

	THRU BEAM	RETRO REFLECTIVE	DIFUUSE
Sensing Range S _n	5 m	1 m	20 cm
Size		M18	
Sensing Tolerance		± 10%	
Operating Frequency		25 Hz	
Supply Voltage		12 - 30V DC	
Hysteresis		≤ 15%	
Repeatability		≤ 2%	
Max. Output Current		200 mA	
Output Indication		LED	
Leakage Current (Load)		Max. 10μA	
Operating Temperature		0 to +55°C	
Protection Degree		IP 67	
Protections	Reverse Polarity	Provided	
	Short Circuit	Provided	
	False Pulse	Provided	
	Transient Noise	Provided	
Housing	Nickle Plated Brass		
Marks	CE		
Output	4 Wire DC (1NO + 1NC)		

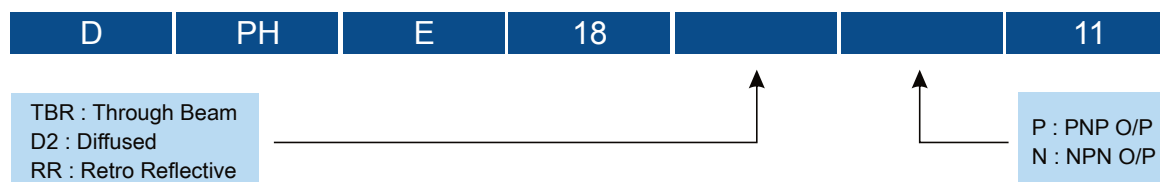
* Also available : AC-2 W version on request

Ordering Information

Inductive/Capacitive Sensors



Photoelectric Sensors

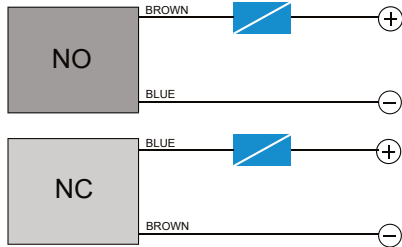


Note : 11 (NO+NC) output is not available in 2 wires DC/AC sensors

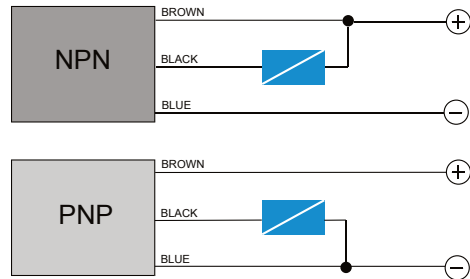


Wiring Diagram

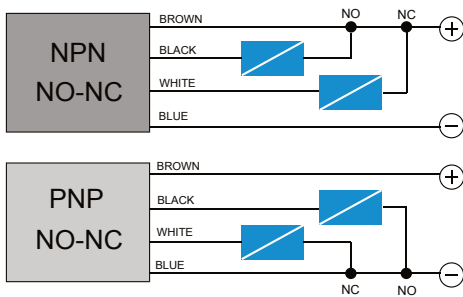
DC-2W



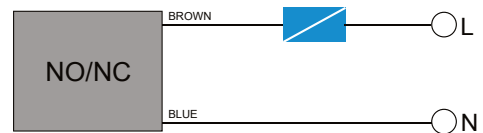
DC-3W



DC-4W

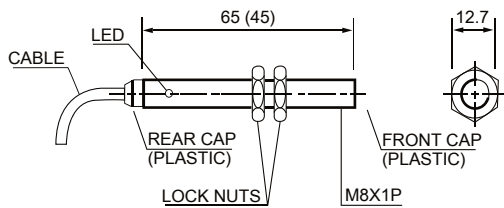


AC-2W

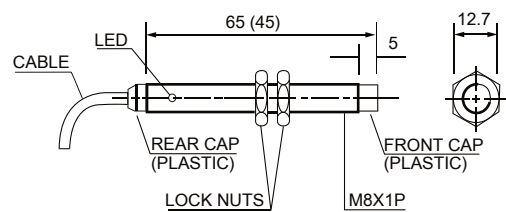


Dimensions

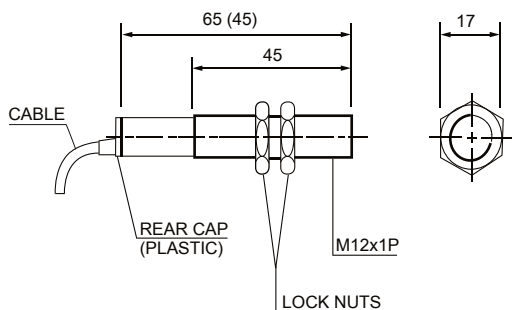
DINE8SNXX / DINE8SPXX



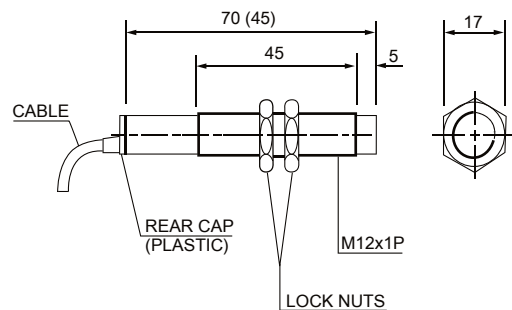
DINE8NNXX / DINE8N



DINE12SNXX / DINE12SPXX



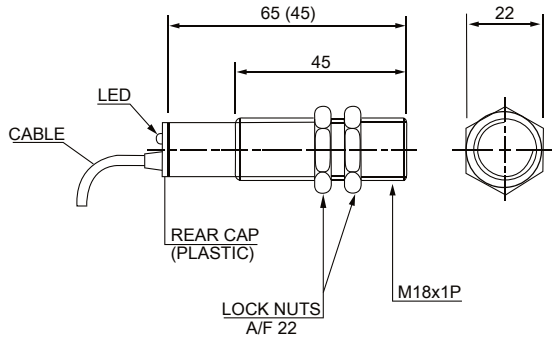
DINE12NNXX / DINE12NPX



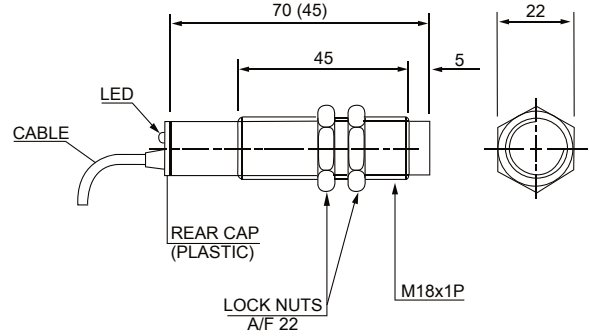


Dimensions

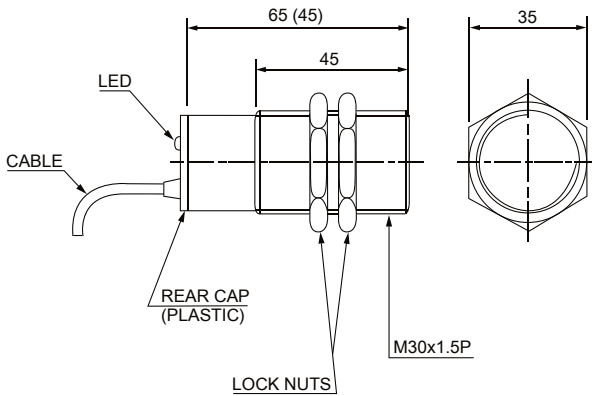
DINE18SNXX / DINE18SPXX



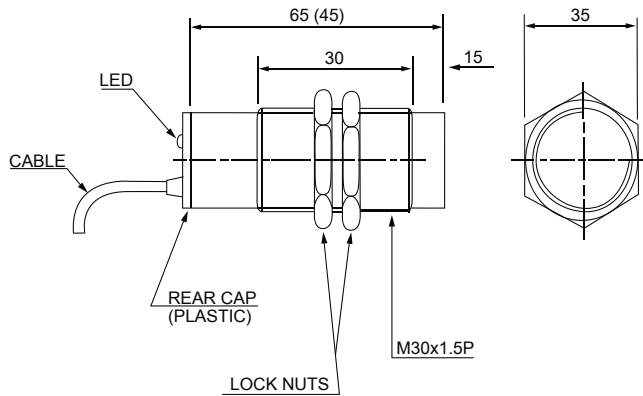
DINE18NNXX / DINE18NPX



DINE30SNXX / DINE30SPXX



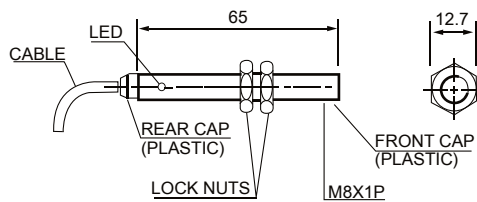
DINE30NNXX / DINE30NPX



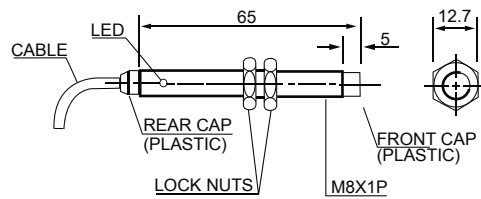
(45) : Indicates overall length of "Short Length" sensors

2 WIRE DC / AC

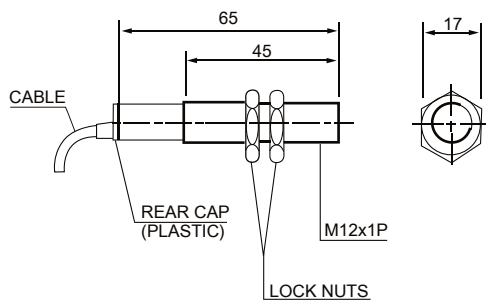
DINE8SDXX



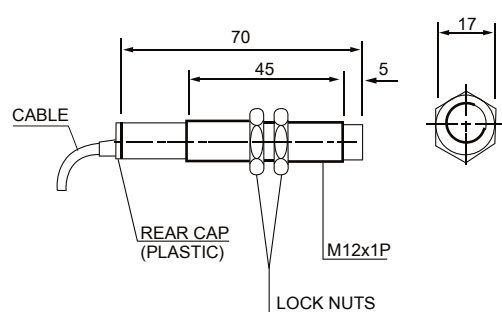
DINE8NDXX



DINE12SXXX



DINE12NXXX

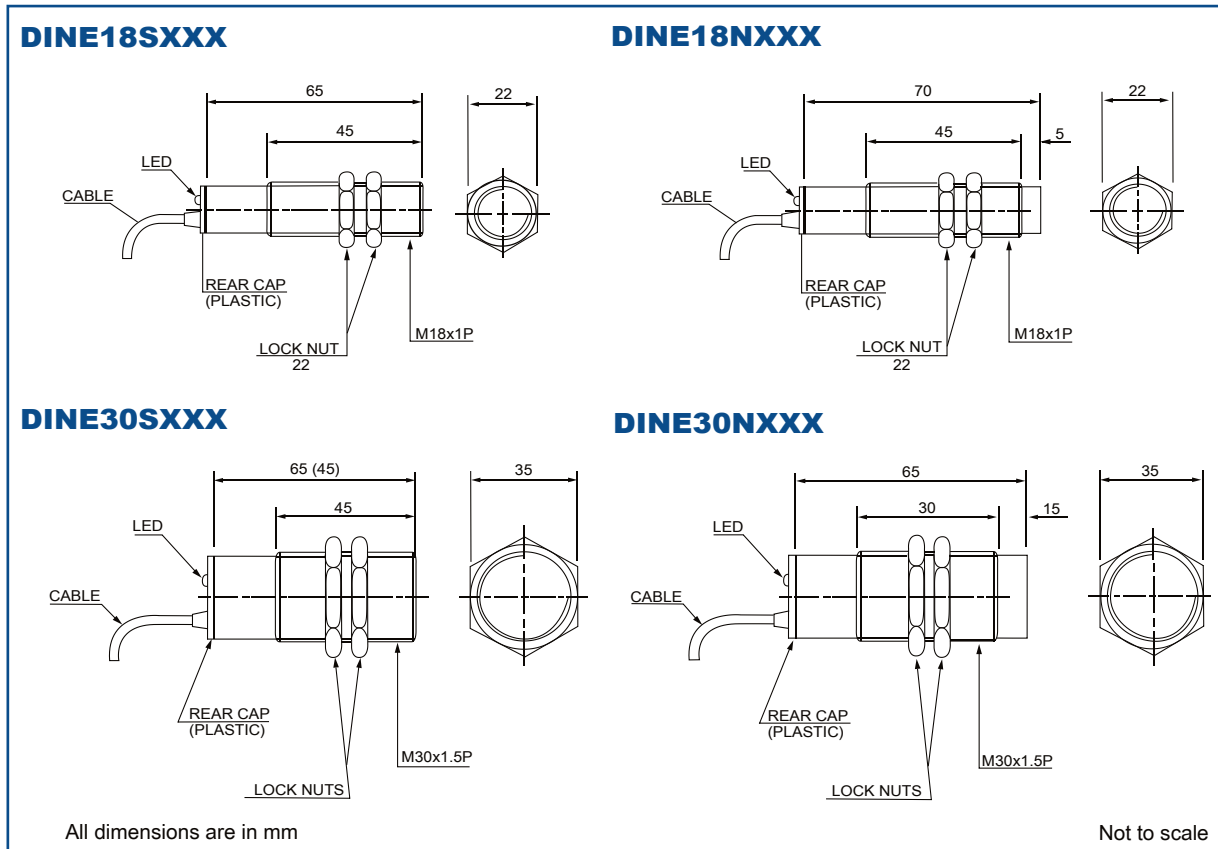


All dimensions are in mm

Not to scale



Dimensions



BCH ELECTRIC LIMITED

Visit us at : www.bchindia.com

Corporate Office : 1105, New Delhi House, 27, Barakhamba Road, New Delhi - 110 001 Tel. : 91-11-23316029/3610/6539/43673100 Fax : 91-11-23715247

CIN : U31103WB1965PLC026427, Customercare No. 1800-103-9262, E-mail : marketing@bchindia.com

Registered Office : Block 1E, 216, Acharya Jagadish Chandra Bose Road, Kolkata - 700 017

Works 1 : 20/4, Mathura Road, Faridabad - 121 006 (Haryana) Tel. : 0129-4063000/4293000 Fax : 0129-2304016

Works 2 : 64-68, Sector-7, IIE, Pant Nagar, Rudrapur, Udham Singh Nagar - 263 153 (Uttarakhand) Tel. : 05944-250214/16 Fax : 05944-250215

Sales Offices :

Ahmedabad
103, Aaron,
Nr. SBI Laghuudyog branch,
Behind Sakar-1,
Gandhinagar Railway Station,
Ellis bridge, Ahmedabad- 380 006
Tel. : 079-26589719
E-mail : ahmedabad@bchindia.com

Bangalore
B.M.H. Complex, 2nd Floor,
No. 22, Kengal Hanumanthiah Road,
Bangalore - 560 027
Tel. : 080-22273478/41144878/41144879
Fax : 080-22236759
E-mail : bangalore@bchindia.com

Chandigarh
SCO 121-22-23, 1st Floor,
Sector 34-A, Chandigarh - 160 022
Tel. : 0172-5078957/2666122
Fax : 0172-5049905
E-mail : chandigarh@bchindia.com

Chennai
Flat No. 3A, 3rd Floor,
Sree Apartments,
No.508, TTK Road,
Alwarpet, Chennai 600 018
Tel. : 044-24337046, 24337047
Fax : 044-24337047
E-mail : chennai@bchindia.com

Coimbatore
87, Dr. Nanjappa Road,
Coimbatore - 641 018
Tel. : 0422-2305311
Fax : 0422-2302599
E-mail : coimbatore@bchindia.com

Dehradun
8, Co-operative Industrial Estate,
Patel Nagar, Dehradun-248001
E-mail : dehradun@bchindia.com

Faridabad
20/4, Mathura Road,
Faridabad - 121 006 (Haryana)
Tel/fax : 0129-2304016
E-mail : faridabad@bchindia.com

Hyderabad
1-8-303/48/13/102, Arya One,
2nd Floor, P. G. Road,
Secunderabad - 500 003
Tel. : 040-66206263/27890306
Fax : 040-66207273
E-mail : hyderabad@bchindia.com

Indore
330-331, Indraprastha Tower,
3rd Floor, 6, M.G. Road,
Indore - 452 001
Tel. : 0731-2510011
Fax : 0731-2510012
E-mail : indore@bchindia.com

Jaipur
25, Hathroi, Gopalbari,
Jaipur - 302 001
Tel. : 0141-5104521
Fax : 0141-2363521
E-mail : jaipur@bchindia.com

Jamshedpur
3rd Floor, Aastha Trade Centre,
'Q' Road, Bistupur,
Jamshedpur - 831 001
Tel. : 0657-2321097/2321481
E-mail : jamshedpur@bchindia.com

Kolkata
Block 1E, 216,
Acharya Jagadish Chandra Bose Road,
Kolkata - 700 017
Tel. : 033-22871728
E-mail : kolkata@bchindia.com

Lucknow
Madan Plaza, 3rd Floor,
14, Station Road,
Lucknow - 226 001
Tel. : 0522-4025597/4025997
Fax : 0522-4025697
E-mail : lucknow@bchindia.com

Ludhiana
S.C.O.- 18, 2nd Floor,
Feroze Gandhi Market,
Ludhiana - 140 001
Tel. : 0161-5021807/5022808
Fax : 0161-5021807
E-mail : ludhiana@bchindia.com

Mumbai
A-151, Mittal Tower,
Nariman Point,
Mumbai - 400 021
Tel. : 022-22822947/22850162
Fax : 022-22822858
E-mail : mumbai@bchindia.com

Nagpur
Flat No. T/12, 3rd Floor
Baldeo Apartment,
Behind Railway Station, Bajeria
Nagpur (M.S.) - 440018
E-mail : nagpur@bchindia.com

New Delhi
801, Akash Deep Building,
26A, Barakhamba Road,
New Delhi - 110 001
Tel. : 011-23313878/66307065
Fax : 011-23739230
E-mail : delhi@bchindia.com

Pune
8, Sarosh Bhavan,
16-B/1, Dr. Ambedkar Road,
Pune - 411 001
Tel. : 020-26052590
Telefax : 020-26135224
E-mail : pune@bchindia.com

Raipur
2nd Floor, Building No. B-234,
Indira Gandhi Vyavasayik Parisar,
Pandri, Raipur - 492 004
Tel. : 0771-4020213
Fax : 0771-2582680
E-mail : raipur@bchindia.com

Trichy
Kingstone Park, 2nd Floor,
19/1, Puthur High Road,
Ramalinga Nagar,
Trichy - 620 017
Tel. : 0431-4040497
E-mail : trichy@bchindia.com

Vadodara
301, Third Floor, "Florence Classic",
10, Ashapuri Co-Op. Hsg. Soc. Ltd., Opp. VUDA Housing,
Near Cow Circle, Akota, Vadodara - 390 020
Tel. : +91-265-6548444/2345068/2345069
Telefax : 0265-2345068,
E-mail : vadodara@bchindia.com

Other Branch Locations

Bhubaneswar : bhubaneswar@bchindia.com, **Cochin :** cochin@bchindia.com, **Gurgaon :** gurgaon@bchindia.com, **Guwahati :** guwahati@bchindia.com, **Hospet :** hospet@bchindia.com,

Resident Engineer Locations

Baddi	Gurgaon	Madurai	Rajahmundry
Bardhaman	Haridwar	Muzaffarnagar	Salem
Bhilai	Hubli	Nagpur	Surat
Bhubaneswar	Hospet	Nashik	Udaipur
Cochin	Jodhpur	Patna	Vapi
Dehradun	Kakinada	Puducherry	Vishakhapatnam
Durgapur	Kota	Rajkot	Warangal

Since product improvement is a continuous process, the data furnished in this brochure may undergo revision without prior notice.