



## Precision Limit Switches

**BCH Precision Limit Switches** are designed for industrial applications having reliable & accurate operation with exceptionally long life. The wide variety of switch operating mechanism coupled with the choice of either single pole 1NO + 1NC or double pole 2NO + 2NC changeover contacts, permit easy selection for applications like **Panel doors, High voltage disconnecter switching, Transformer On-load tap changer & Hydraulic valves switching applications.**

### Contact Mechanism

- Quick make & quick break action.
- Low bounce mechanism.
- Long life and suitable for high frequency switching applications.
- Serrated - silver stationery contacts, definite wiping action and high contact pressure assure reliability of operation.
- Semi dust-tight moulded phenolic case of great physical strength and high arc-resisting capacity.

### Electrical and Mechanical ratings

Utilization category	: AC 15 & DC 13 as per IS/IEC60947-5-1
Thermal current (Ith)	: 15 A
Insulation voltage (Ui)	: 600 V AC
Mechanical life	: 20x10 <sup>6</sup> operations without operator
Electrical life	: 10x10 <sup>6</sup> operations with operator
Frequency of operations	: 2500 operations per hour (max.)
Terminal capacity	: 2.5mm <sup>2</sup> solid or stranded conductors
Tightening torque	: 0.8Nm for M3.5 screw

### Type of Operators

A wide variety of operators are available for use in combination with the basic switch. These operators with individual mounting variations provide a high degree of versatility.

#### Roller Lever

These operators are available with either top and right hand mounting or top and left hand mounting and are equipped with a steel roller which may be operated by a cam or some similar actuating device. Operation is provided in both directions.

#### Six Inch (150mm) Lever

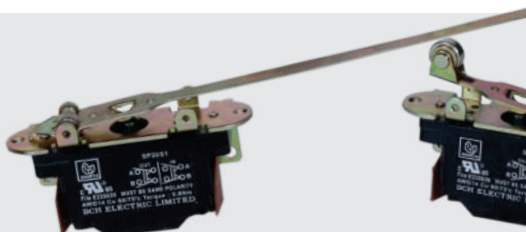
These operators provide either top and right hand mounting or top and left hand mounting. With this do-it-yourself operator, the lever may be formed by the user to satisfy unusual requirements and can be cut or bent to any desired length or shape.

#### Top Push Roller Plunger

These operators are designed for one hole mounting and are of oil-tight construction. The roller plunger comes assembled either in line with the length of the contact block or at right angles to it. This allows the roller to accept cam or slide operation from any of the four directions.

#### Top Push Button Plunger

These are designed for one hole panel mounting. The plunger mechanism is of oil-tight construction and prevents any ingress of oil, including coolant. These operations are designed for an in-line actuating motion with controlled over-travel.



Top Push Roller - in line

Roller Lever - Right

Six Inch Lever - Right

Roller Lever - Left

Top Push Button

## Operational Current & Voltage

VOLTAGE (50Hz)	AC - 15 RATING SINGLE POLE 1NO+1NC		VOLTAGE (50Hz)	AC - 15 RATING DOUBLE POLE 2NO+2NC	
600V	0.8A		600V	0.6A	
440V	1.0A		460V	0.8A	
220V	2.0A		230V	1.5A	
110V	4.0A		115A	3.0A	

VOLTAGE (50Hz)	DC - 13 RATING (1NO+1NC)		VOLTAGE (50Hz)	DC - 13 RATING (2NO+2NC)	
	SINGLE THROW	DOUBLE THROW		SINGLE THROW	DOUBLE THROW
600V	0.1A	0.02A	600V	0.1A	
230V	0.5A	0.20A	230V	0.3A	0.1A
115V	2.0A	0.50A	115V	1.0A	0.2A

## Selection Chart

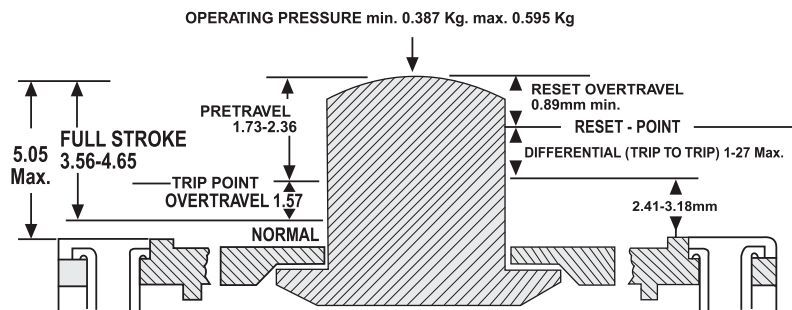
Type of operator	Cat. code	
	1NO+1NC	2NO+2NC
Roller Lever**	PSRL-L or R	PSRL-L-2 or R-2
Six Inch Lever	PSSIL-L or R	PSSIL-L-2 or R-2
Top Push roller	PSTPR*	PSTPR*-2
Top Push Button	PSTPB	PSTPB-2
Spare Contact Block	SP20S1	SP20S2

\*A - Roller in line with contact block

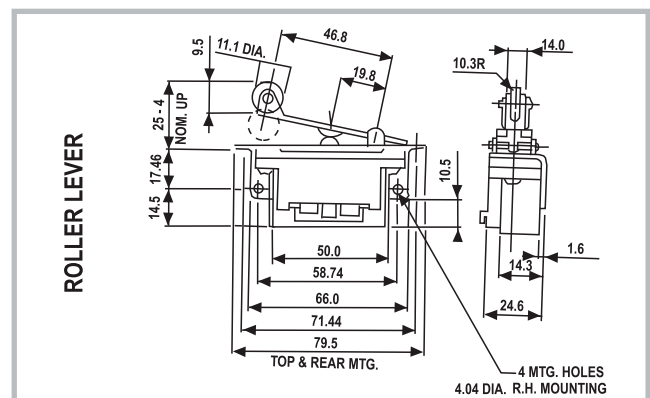
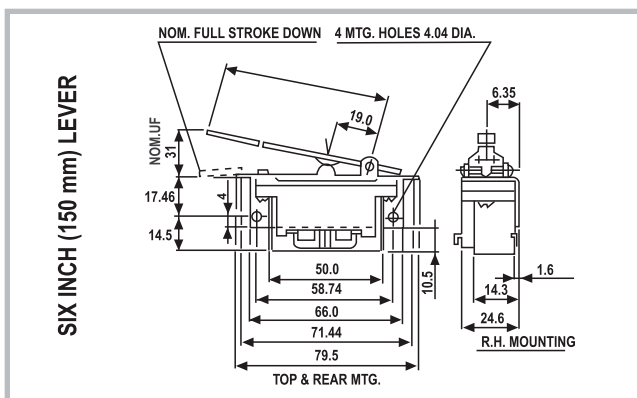
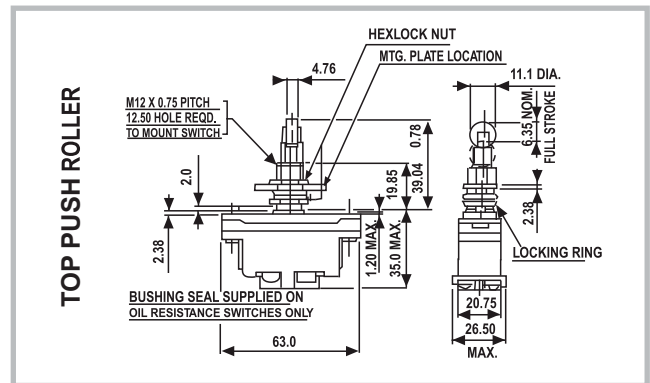
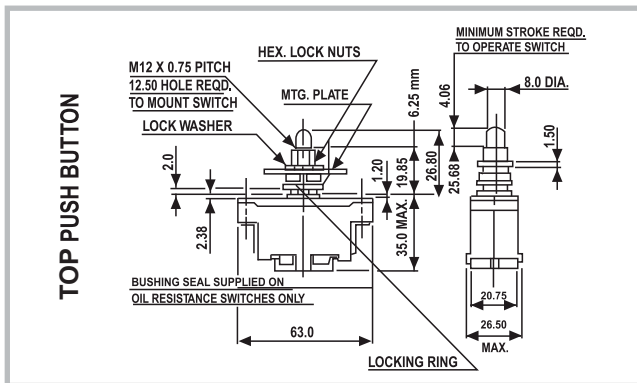
B - Roller at right angled with contact block

\*\*Stainless steel roller lever available on request

## The Repeat Accuracy of Individual



The repeat accuracy of individual switch trip points is such that after millions of operations they do not drift more than two or three thousandths of an inch.



**BCH**

**BCH  
ELECTRIC  
LIMITED**

Please scan  
QR code to  
see complete  
offering



Corporate Office : 1105, New Delhi House, 27, Barakhamba Road, New Delhi - 110 001 Tel. : 91-11-43673100

E-mail : marketing@bchindia.com, Toll Free No.:1800-103-9262 • www.bchindia.com CIN:U311013WB1965PLC026427

Registered Office : Block 1E, 216, Acharya Jagadish Chandra Bose Road, Kolkata - 700 017

Works 1 : 20/4, Mathura Road, Faridabad - 121 006 (Haryana) Tel. : 0129-4063000/4293000 Fax : 0129-2304024

Works 2 : 64-68, Sector-7, IIE, Pant Nagar, Rudrapur, Udham Singh Nagar - 263 153 (Uttarakhand) Tel. : 05944-250214/16 Fax : 05944-250215