

Designed for **Toughest Conditions**

Thermal Magnetic  
&  
Microprocessor Release

## Moulded Case Circuit Breaker

**Reilient**  
BCH ELECTRIC LIMITED



**3 Pole 16A - 630A**

**New**  
32A - 100A  
50kA / 50kA



BCH ELECTRIC LIMITED

S/N	Description	Page
01	Resilient MCCB : Overview	01-04
02	Technical Specification & Ordering Codes	05-07
03	Accessories	08
04	Tripping curves and ambience correction graphs	09-11
05	Installation dimension	12-14

BCH Electric is one of India's oldest and respected LV Switchgear manufacturer with world-class manufacturing facilities, pan-India distribution network and a wide product portfolio. Our decades of operations in Indian LV Switchgear market has helped us understand that Indian Industrial conditions are one of the harshest and most demanding in nature. And we know the importance of a device which seamlessly, effortlessly and quite reliably delivers the best performance in varied applications under these harsh Indian conditions.

Presenting to you the **Resilient** range of MCCB, available in three frame sizes 100A, 250A & 630A with standard and high performance variants. As the name Resilient implied, the product is designed and tested to perform excellently in harsh Indian conditions.



Remarkable performance



Superior flexibility



Reliability



Design excellence

## Offers Remarkable Performance

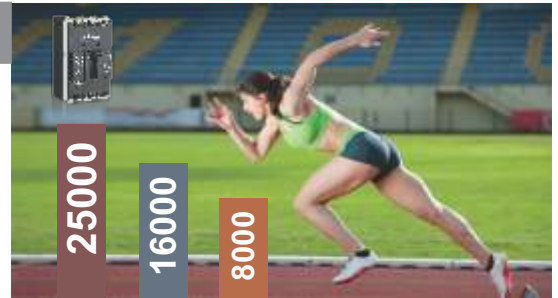
### Tested for 50°C Ambience

- We understand Indian conditions well, so the entire range of Resilient MCCB is tested for rated performance at 50°C.
- With every 5°C dip in temperature, breaker can be uprated upto 4% depending on the rating.



### Excellent Electrical / Mechanical Life

- Electrical life upto 10000 cycles and Mechanical life upto 25000 cycles, Resilient MCCBs are designed for longer life and reliability.



### High Performance Compact Size

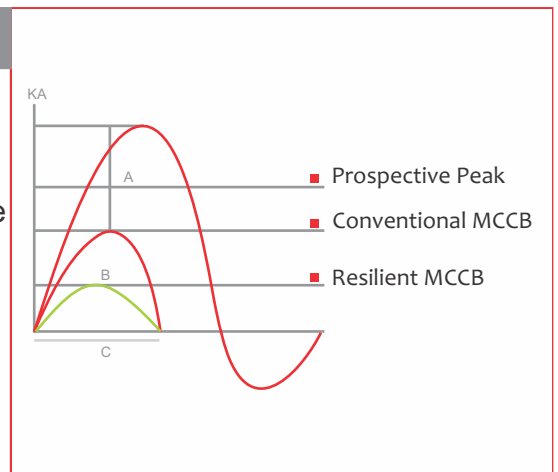
- Resilient MCCB offers 50 kA Short circuit breaking capacity in smallest frame size of 75 X 130 X 60 mm (WxHxD).



### Outstanding Current Limiting Performance



- Owing to a salient U shaped terminal and fast acting mechanism, Resilient MCCB offers excellent current limiting performance
- Designed for a very low level of let through energy, Resilient MCCBs provides not only safety of installation but also reduces stress on downstream equipments





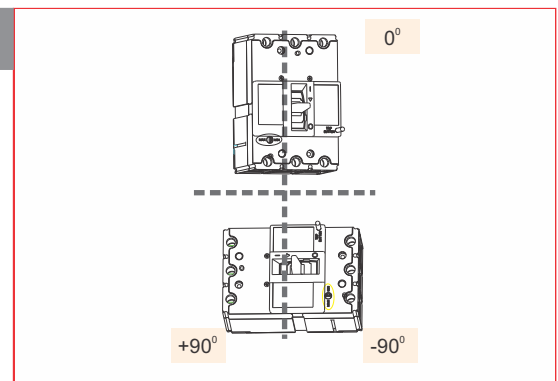
# Resilient

BCH ELECTRIC LIMITED

Offers Flexibility

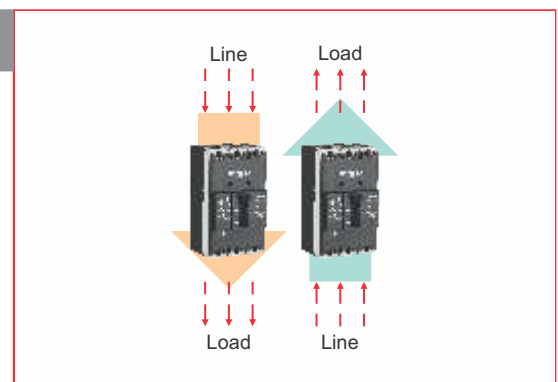
## Flexibility of Installation

- Resilient MCCBs can be installed in any orientation i.e. vertical as well as horizontal orientation.



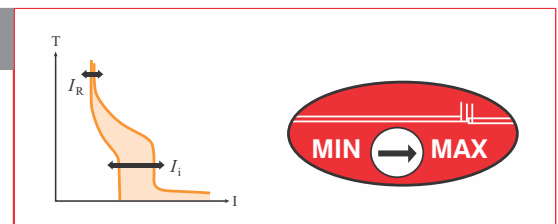
## Line Load Interchangeability

- The entire range of Resilient MCCB is suitable for line load interchangeability, with unmarked terminals



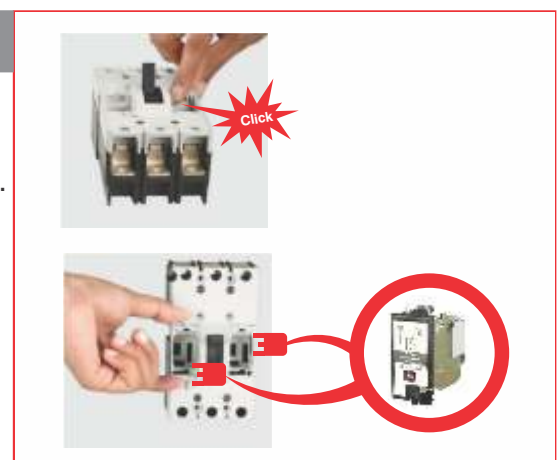
## Thermal Flexibility

- Adjustable overload protection :
  - Upto 70 % to 100 % with Thermal Magnetic Release
  - 40% to 100% with Microprocessor Release (LSIG)



## Unbeatable Flexibility of Accessory Mounting

- Resilient MCCB is one of its kind to have flexibility to install UV & Shunt Release together at a time for Frame 1 & Frame 2.
- Universal accessory mounting for UV Release, Shunt Release, Trip Alarm & Auxiliary switch for Frame 1 & Frame 2.
- All accessories can be field fitted, with no need for dismantling breaker.



### International Standards

- Entire range of Resilient MCCB is tested and certified as per IS / IEC 60947-2.
- Resilient MCCB also carries CE mark.

IEC 60947



### Suitability for Isolation

- Resilient Range of MCCB is suitable for positive isolation.
- Ensures complete safety of operator and installation.



### Isolation of Accessories

- Internal accessory mounting chamber is isolated from main mechanism for safety of installation.
- Accessory must be mounted in TRIP condition.
- Rotary handle is lockable in OFF condition to prevent any unintended interventions to ensure operator safety.



### Safety of Installation

- Finger proof terminal.



### Constructional features

The Resilient MCCB is meticulously designed to incorporate necessary design features for superlative performance

## Offers Design Excellence

Unique Design for Controlled exhaust of ARC to minimize safety perimeter & ground surface

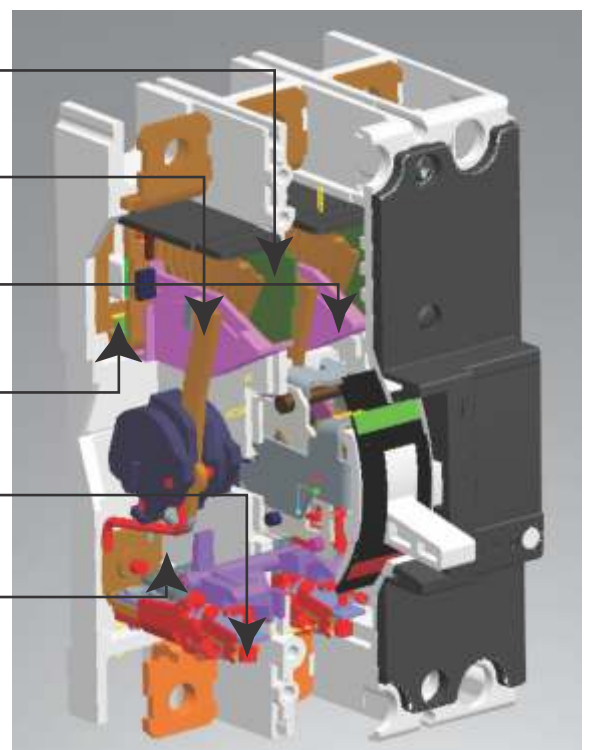
Inherent Contact System Design to provide wiping effect between Contacts for self-cleaning action

Use of special ABLATIVE material generates gases to suppress ARC PLASMA & Quench ARC

Maximized Contact Repulsion forces with U-Shape design for high ARC interruption capacity

Bimetal senses Overload protection

Electro Magnet senses Short Circuit Protection



Sectional View of Thermal Magnetic MCCB

## Technical Specifications

Type	RS		
FRAME	F1		
<b>Features</b>			
Conformance to Standards	IS/IEC60947 - 2		
No. of Poles	3		
Rated Operational Voltage( $U_e$ ) - (V)	415		
Rated Insulation Voltage( $U_i$ ) - (V)	690		
Rated Impulse withstand Voltage( $U_{imp}$ ) - (kV)	6		
Rated Current ( $I_e$ ) (A)	16, 20, 25, 32, 40, 50, 63, #80, #100		
Ultimate Breaking Capacity( $I_{cu}$ ) at 415V (kA)	10**	15	30
Service Breaking Capacity( $I_{cs}$ ) - (% of $I_{cu}$ )	75	100	50
Suitability for Isolation	Yes	Yes	Yes
Utilization Category	A	A	A
Electrical Life - Cycles	5000	6000	6000
Mechanical Life - Cycles	25000	25000	25000

### Protection against Over Current (Trip Unit)

Thermal (Fixed / Adjustable)	Fixed	Fixed	Adjustable (0.7 - 1.0) In
Magnetic	Fixed	Fixed	Fixed
Terminal Cable Capacity	50 mm <sup>2</sup>	50 mm <sup>2</sup>	50 mm <sup>2</sup>
Dimensions - (mm) WxHxD	75X130X60	75X130X60	75X130X60
Weight - (Kg)	0.81 / 0.89*	0.81 / 0.89*	0.81 / 0.89*
Operating Temp Range - °C	-5 to +50	-5 to +50	-5 to +50
Reference Temperature - °C	50	50	50
<b>Accessories - INTERNAL</b>			
Auxiliary (2C/O)	Yes	Yes	Yes
Aux / Alarm (1C/O + 1 C/O)	Yes	Yes	Yes
Shunt Release	Yes	Yes	Yes
Under Voltage Release (UVR)	Yes	Yes	Yes
<b>Accessories - EXTERNAL</b>			
Rotary Operating Handle (Extended)	Yes	Yes	Yes
Phase Barriers	Yes	Yes	Yes
Spreaders / Terminal Extensions	Yes	Yes	Yes
DIN Rail Mounting Kit	Yes	Yes	Yes

\*Weight along with spreader link

# Spreader link included from 80A & 100A in F1 MCCB and 200A & 250A in F2 MCCB

\*\* With RAL-7035 (Light Grey) front facia, rest all other ratings are RAL-7016 (Dark Grey) front facia

## Range & Ordering Codes

### For Frame 1 ( $I_{th}= 100 A$ )

XF	E	100	G*
	V: 50 kA	100: 100A	P : $I_{cs}$ 100% of $I_{cu}$
	L: 36 kA	80: 80A	G : $I_{cs}$ 75% of $I_{cu}$
	H: 30 kA	63: 63 A	N : $I_{cs}$ 50% of $I_{cu}$
	S: 25 kA	50: 50A	
	N: 15 kA	40:40A	
	E: 10 kA	32: 32A	
		25: 25A	
		20: 20A	
		16: 16A	

\* add a suffix V ( PV and NV) for variable thermal variant



For MCCB of any other rating, please contact nearest sales office

RH				RS		RH			
F1				F2		F2			
IS/IEC60947 - 2				IS/IEC60947 - 2		IS/IEC60947 - 2			
3				3		3			
415				415		415			
690			800	690		690			
8			8	8		8			
16, 20, 25, 32, 40, 50, 63, #80, #100			32A to #100A	125, 160, #200, #250		125, 160, #200, #250			
25	36	50	50	25	36	36	36	50	50
100	50	50	100	100	50	75	100	50	100
Yes	Yes	Yes	Yes	Yes	Yes	Yes	Yes	Yes	Yes
A	A	A	A	A	A	A	A	A	A
8000	8000	8000	10000	5000	5000	8000	8000	8000	8000
25000	25000	25000	25000	12000	12000	12000	12000	12000	12000

Adj. (0.7-1.0) In	Adj. (0.7-1.0) In	Adj. (0.7-1.0) In	Adj. (0.7-1.0) In	Adj. (0.8-1.0) In	Adj. (0.8-1.0) In	Adj. (0.8-1.0) In	Adj. (0.8-1.0) In	Adj. (0.8-1.0) In	Adj. (0.8-1.0) In
Fixed	Fixed	Fixed	Fixed	Fixed	Fixed	Fixed	Fixed	Fixed	Fixed
50 mm <sup>2</sup>	50 mm <sup>2</sup>	50 mm <sup>2</sup>	50 mm <sup>2</sup>	120 mm <sup>2</sup>	120 mm <sup>2</sup>	120 mm <sup>2</sup>	120 mm <sup>2</sup>	120 mm <sup>2</sup>	120 mm <sup>2</sup>
75X130X60	75X130X60	75X130X60	75X130X60	105x160x81	105x160x81	105x160x81	105x160x81	105x160x81	105x160x81
0.81 / 0.89*	0.81 / 0.89*	0.81 / 0.89*	0.83 / 0.91*	2.2 / 2.6*	2.2 / 2.6*	2.2 / 2.6*	2.2 / 2.6*	2.2 / 2.6*	2.2 / 2.6*
-5 to +50	-5 to +50	-5 to +50	-5 to +55	-5 to +50	-5 to +50	-5 to +50	-5 to +50	-5 to +50	-5 to +50
50	50	50	50	50	50	50	50	50	50
Yes	Yes	Yes	Yes	Yes	Yes	Yes	Yes	Yes	Yes
Yes	Yes	Yes	Yes	Yes	Yes	Yes	Yes	Yes	Yes
Yes	Yes	Yes	Yes	Yes	Yes	Yes	Yes	Yes	Yes
Yes	Yes	Yes	Yes	Yes	Yes	Yes	Yes	Yes	Yes
Yes	Yes	Yes	Yes	Yes	Yes	Yes	Yes	Yes	Yes
Yes	Yes	Yes	Yes	Yes	Yes	Yes	Yes	Yes	Yes
Yes	Yes	Yes	Yes	No	No	No	No	No	No



### For Frame 2 ( $I_{th} = 250 A$ )

XF2	H	250	PV*
	H: 50 kA	250 : 250A	PV : $I_{cs}$ 100% of $I_{cu}$
	N: 36 kA	200 : 200A	GV : $I_{cs}$ 75% of $I_{cu}$
	E: 25 kA	160 : 160A	NV : $I_{cs}$ 50% of $I_{cu}$
		125 : 125A	

\* Variable thermal setting available by default

For MCCB of any other rating, please contact nearest sales office

## Technical Specifications

Type	RH - TMTU		RH - LSIG	
FRAME	F3		F3	
<b>Features</b>				
Ref Standards	IS/IEC60947 - 2		IS/IEC60947 - 2	
No. of Poles	3		3	
Rated Operational Voltage(U <sub>e</sub> ) - (V)	415		415	
Rated Insulation Voltage(U <sub>i</sub> ) - (V)	800		800	
Rated Impulse withstand Voltage(U <sub>imp</sub> ) - (kV)	8		8	
Rated Current (I <sub>e</sub> ) - (A)	320#, 400#, 500#, 630#		400#, 630#	
Ultimate Breaking Capacity(I <sub>cu</sub> ) at 415V (kA)	36	50	36	50
Service Breaking Capacity(I <sub>cs</sub> ) - (% of I <sub>cu</sub> )	100	100	100	100
Suitability for Isolation	Yes	Yes	Yes	Yes
Utilization Category	A	A	A	A
Electrical Life - Cycles	5000	5000	5000	5000
Mechanical Life - Cycles	12000	12000	12000	12000

### Protection against Over Current (Trip Unit)

Thermal - Adjustable/Microprocessor	Thermal - Adjustable (0.8 - 1.0) In	Microprocessor (0.4 - 1.0) In
Magnetic - Adjustable/Microprocessor	Magnetic - Adjustable (6.0 - 10.0) In	Microprocessor (Off - 1.5 - 10.0) Ir
Short Circuit Delay	N/A	50 - 500 ms
Earth Fault Setting	N/A	Off - 0.2 - 0.55 In
Earth Fault Delay	N/A	50 - 500 ms
Instantaneous Setting	N/A	12 Ir
Pre Trip Alarm Indication	N/A	Available
Terminal Cable Capacity	185, 240, 150*2, 185*2 mm <sup>2</sup>	240, 185*2 mm <sup>2</sup>
Dimensions - (mm) WxHxD	140x261x103.5	140x261x103.5
Weight - (Kg)	5.6 / 6.48*(400A) and 5.8 / 7.0*(630A)	6.35 / 7.22*(400A) and 6.60 / 7.8*(630A)
Operating Temp Range - °C	-5 to + 55	-5 to + 55
Reference Temperature - °C	50	50
<b>Accessories - INTERNAL</b>		
Auxiliary (3C/O)\$	Yes	Yes
Auxiliary (2C/O)	Yes	Yes
Aux / Alarm (1C/O + 1 C/O)	Yes	Yes
Shunt Release	Yes	Yes
Under Voltage Release (UVR)	Yes	Yes
<b>Accessories - EXTERNAL</b>		
Rotary Operating Handle (Extended)	Yes	Yes
Phase Barriers	Yes	Yes
Spreaders / Terminal Extensions	Yes	Yes

\* Weight along with spreader link

\$ Auxiliary (2 C/O) and Aux. / Alarm (1 C/O + 1 C/O) can be mounted simultaneously

# 6 Nos. Spreader link available in standard packing

## Range & Ordering Codes

### For Frame 3 (I<sub>th</sub> = 630 A)

XF3	H	630	P *
	H: 50 kA N: 36 kA	630: 630A 500: 500A 400: 400A 320: 320A	P : I <sub>cs</sub> 100% of I <sub>cu</sub>

\* add a suffix V (PV) for variable thermal variant & suffix E (PE) for Microprocessor Release with LSIG protection






For MCCB of any other rating, please contact nearest sales office



## Internal Accessories

Compliance to : IS/IEC 60947-2

Universal accessories mounting

		
<b>Shunt Release</b>	<b>Undervoltage Release</b>	<b>Alarm / Auxiliary &amp; Auxiliary: Switch</b>
<ul style="list-style-type: none"> <li>• Wide Operating voltage range : 220 - 415 V AC/DC</li> <li>• Pick up consumption : 230V AC &lt;16 VA (For Frame 1 &amp; 2) &lt;20 VA (For Frame 3) &amp; 440V AC &lt;54 VA (For Frame 1 &amp; 2) &lt;75 VA (For Frame 3 MCCB)</li> <li>• Response time : &lt;20 ms</li> <li>• Operates at 70% to 110% of Ue</li> <li>• With Shunt Release energized not possible to Switch ON the MCCB</li> </ul>	<ul style="list-style-type: none"> <li>• Operating Voltage : 240 V AC, 415 V AC</li> <li>• UV Release operates &amp; opens the MCCB in between 70% to 35% of Ue</li> <li>• At 30% of Ue it is not possible to close the MCCB</li> <li>• At 85% of Ue it is possible to close the MCCB</li> <li>• Sealed consumption : &lt;5 VA</li> </ul>	<ul style="list-style-type: none"> <li>• Auxiliary Switch - 2 C/O ( For all Frames). It is possible to provide upto 3 C/O switch along with Shunt / UV Release in F3 MCCB</li> <li>• Trip Alarm &amp; Auxiliary - Auxiliary (1 C/O) + Alarm(1 C/O)</li> <li>• Rating for Utilization categories : - At 250V : AC15 - 2A, DC13 - 0.2A</li> <li>• I<sub>th</sub>=5A, U<sub>e</sub>=230V, I<sub>e</sub>=2A for AC15 Duty</li> <li>• Auxiliary Switch operates in normal ON/OFF operation simultaneously with main contacts. Alarm operates only when the breaker trips</li> </ul>

## Rotary Operating Handle - Extended

- Handle - Pistol type grip
- Door interlocking in ON condition
- Defeat feature for door interlock
- Adjustable shaft length at customer site
- Upto three Padlocks (φ6mm for F1/F2 & φ8mm for F3) possibility in OFF condition
- Ingress protection when mounted in enclosure :  
Frame 1 & Frame 2 - IP42  
Frame 3 - IP54
- Minimum depth required to mount ROH in panel

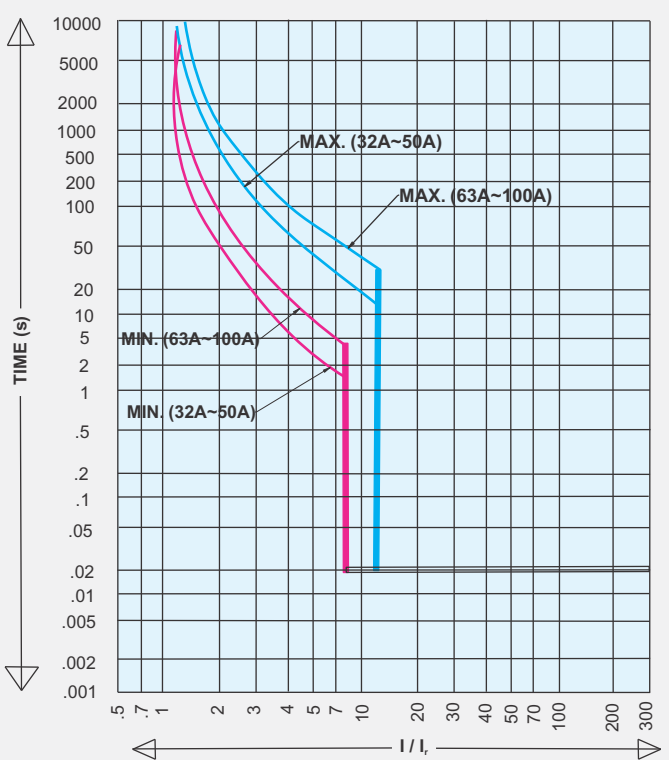
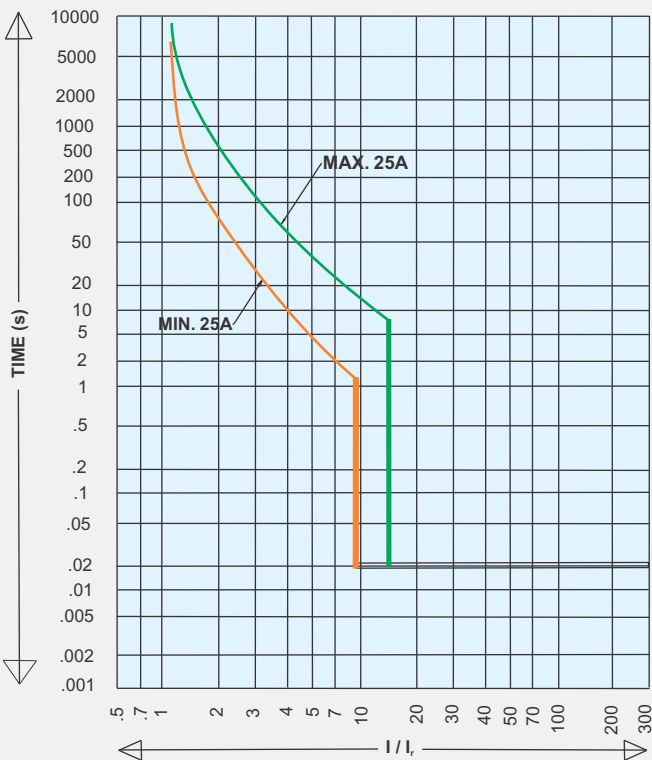
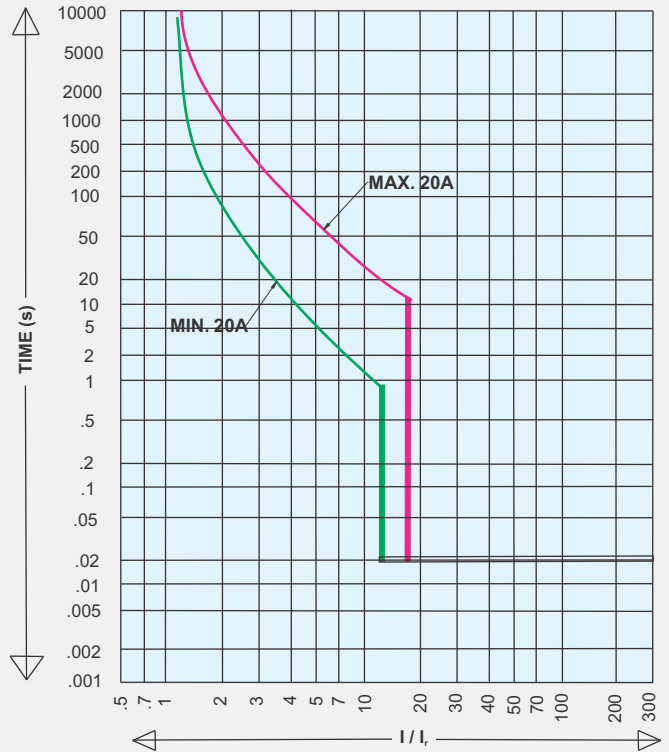
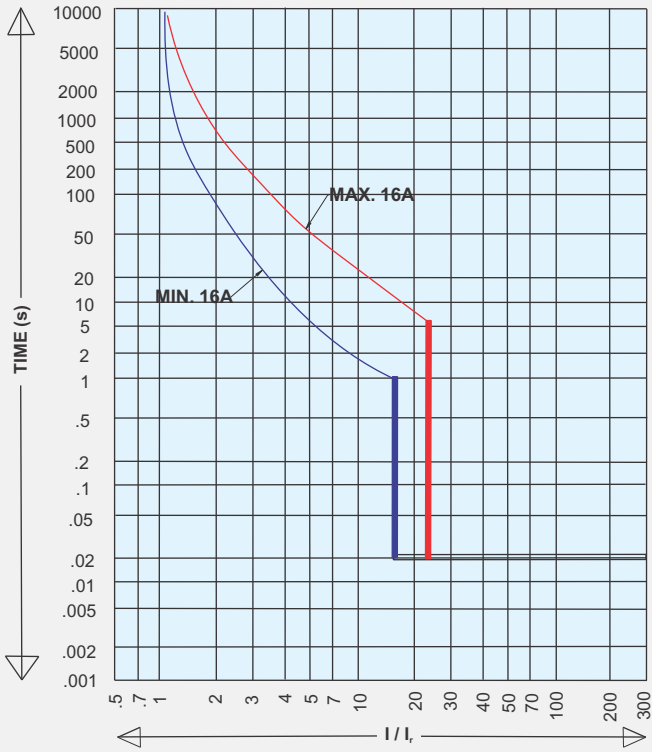


Type	Product	Rating	Cat Code
Internal Accessories	Shunt Release	220V - 415V F1	XFSHT220V
		220V - 415V F2	XF2SHT220V
		220V - 415V F3	XF3SHT220V
	Under Voltage Release	240V ac F1	XFUV240VA
		240V ac F2	XF2UV240VA
		240V ac F3	XF3UV240VA
		415V ac F1	XFUV415VA
		415V ac F2	XF2UV415VA
		415V ac F3	XF3UV415VA
	Alarm + Aux. Contacts	1 C/O + 1 C/O	XFALAX11
	Aux. Contacts	2 C/O	XFAX2

Type	Product	Rating	Cat Code	Remarks
External Accessories	Din Rail	F1	F1DIN	
		F1	F1ROHE	
		F2	F2ROHE	
	Extended Rotary Handle	F3	F3ROHE	
		F1	ACMF1TP100	(6Nos) for F1 MCCB
		F1	ACMF1TP100-3T	(3Nos) for F1 for one side
	Extended Terminals*	F2	ACMF2TP160-T	(6Nos) for F2-160/125A MCCB
		F2	ACMF2TP250-T	(6Nos) for F2-250/200A MCCB - Standard
		F2	ACMF2TP250	(6Nos) for F2 MCCB - Optional (wider)
		F2	ACMF2TP250-3T	(3Nos) for F2 for one side - Optional (wider)
		F3	ACMF3TP400	(6Nos) for 400A F3 MCCB
		F3	ACMF3TP400-3T	(3Nos) for 400A F3 for one side
		F3	ACMF3TP630	(6Nos) for 630A F3 MCCB
		F3	ACMF3TP630-3T	(3Nos) for 630A F3 for one side
	Phase Barriers	F1	F1PB	
		F2	F2PB	
		F3	F3PB	
	MCCB Enclosure	F1	F1EU3P	
		F2	F2EU3P	

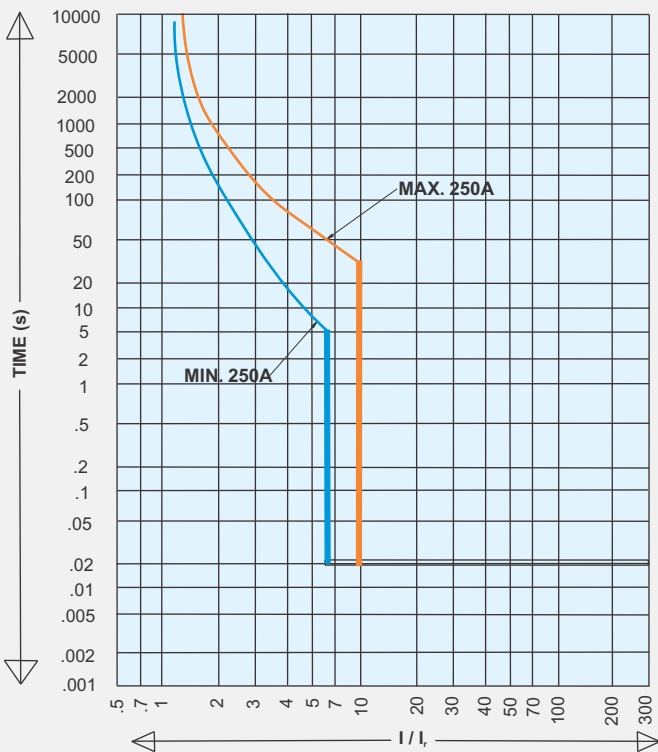
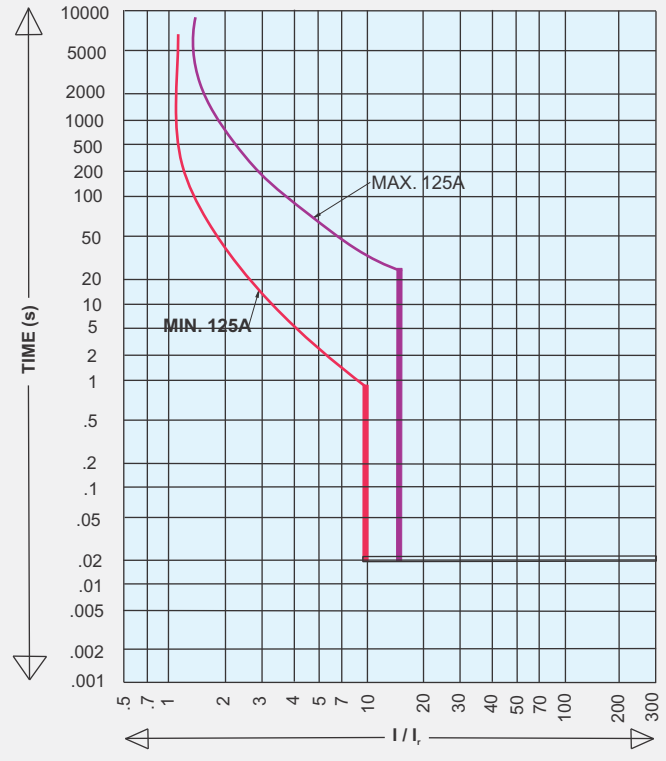
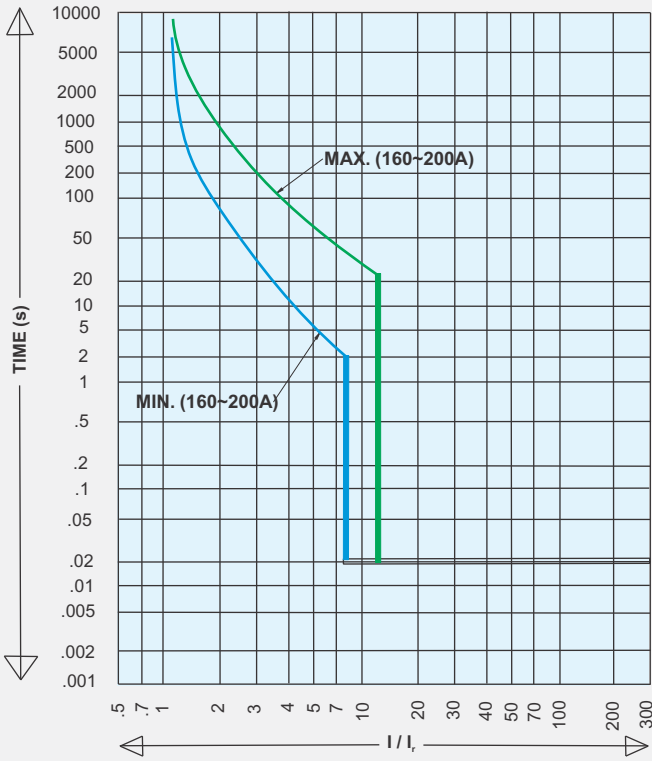
# Tripping Curves

## Frame 1 ( $\leq 100$ A)

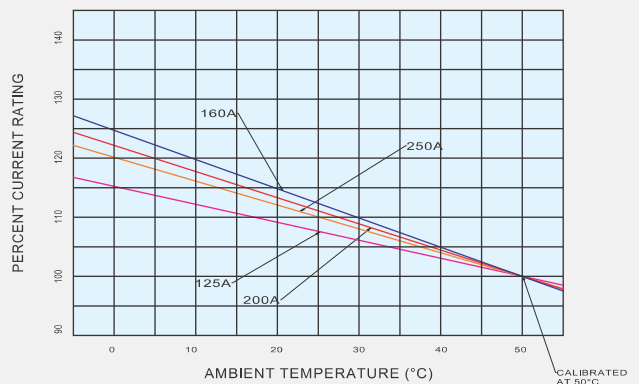
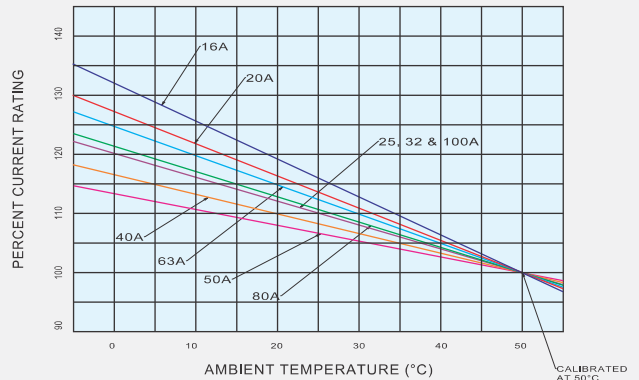


**Tripping Curves**

**Frame 2 ( $\leq 250$  A)**



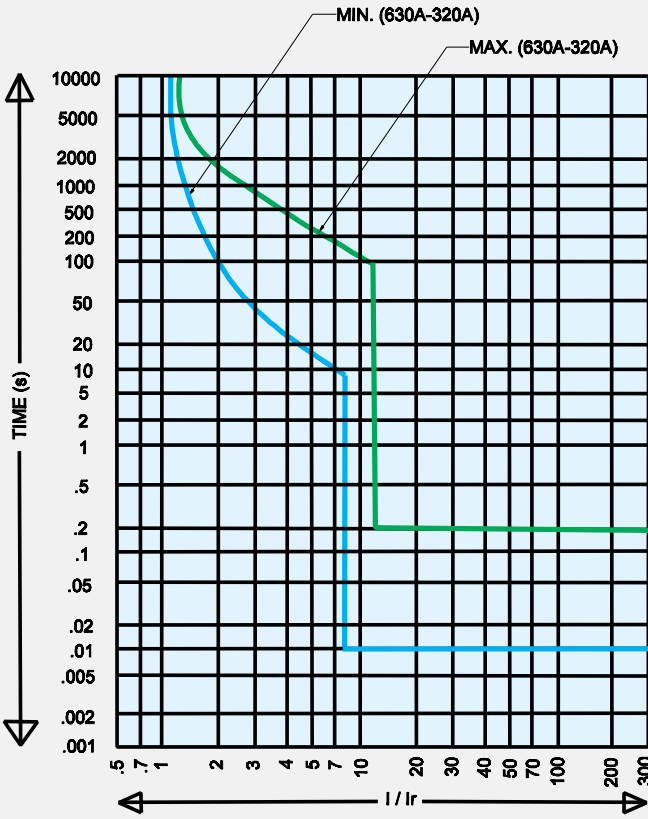
**Ambience correction graph**



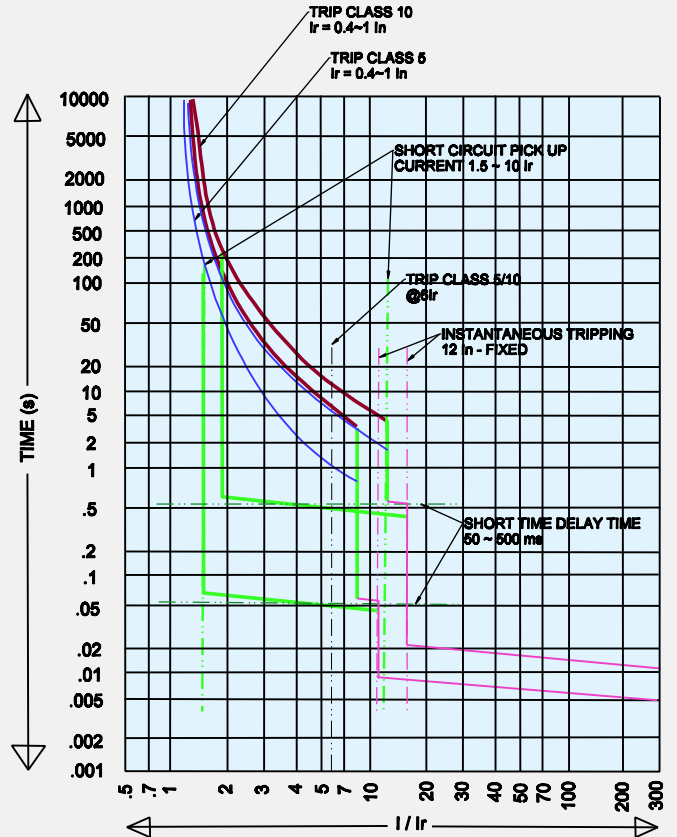
Tripping Curves

Frame 3 ( $\leq 630$  A)

Resilient-TMTU - F3 MCCB (O/L- $I^2t$  AND SHORT CIRCUIT) CURVES



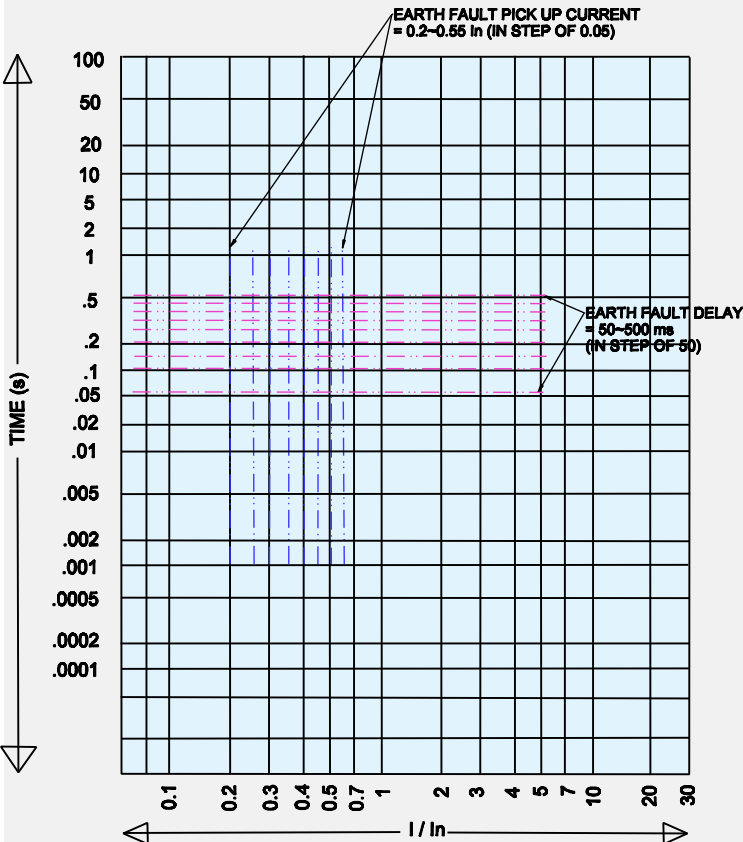
Resilient-LSIG - F3 MCCB (O/L- $I^2t$  AND SHORT CIRCUIT) CURVES



NOTE:

- 1) NEUTRAL CURRENT SETTING = 50% / 100% of  $I_r$ .
- 2) NEUTRAL CHARACTERISTICS CURVE IS SAME AS DEFINED FOR ALL OTHER PROTECTED POLES ABOVE.

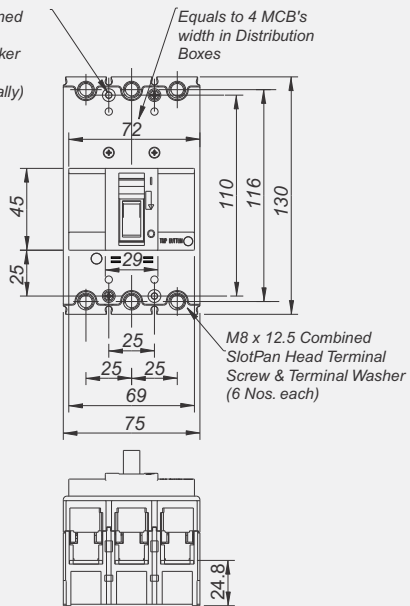
Resilient-LSIG - F3 MCCB - EARTH FAULT CURVES



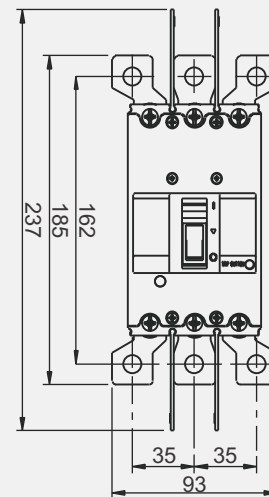
## Frame 1 – Installation Dimensions

### BREAKER MOUNTING PROCEDURE AND MOUNTING DIMENSIONS FOR FRONT CONNECTION (FC) :

M3 x60 Combined Slot Pan Head Screw for Breaker Mounting (2 Nos Diagonally)

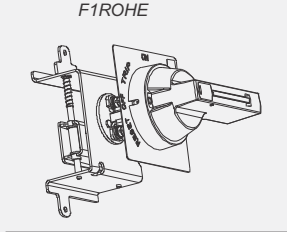


### F1 MCCB WITH TERMINAL PLATE SET (ACMF1TP100)

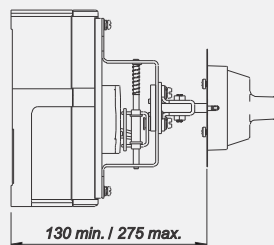
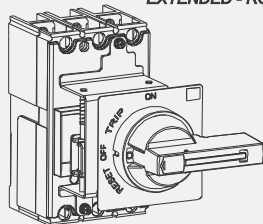


## Frame 1 – Rotary Handle Installation Dimensions

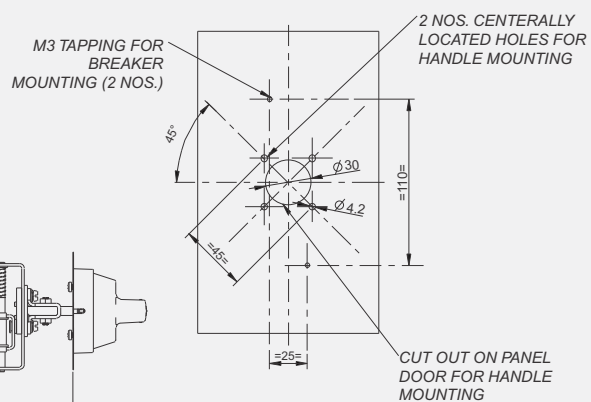
F1ROHE



ROTARY OPERATING HANDLE :  
EXTENDED - ROH



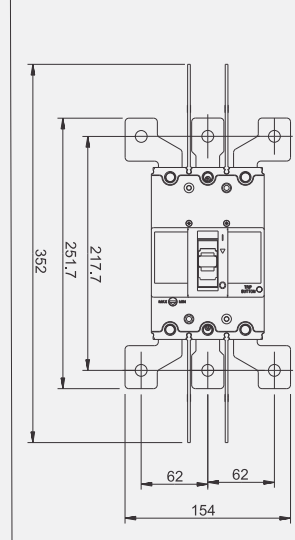
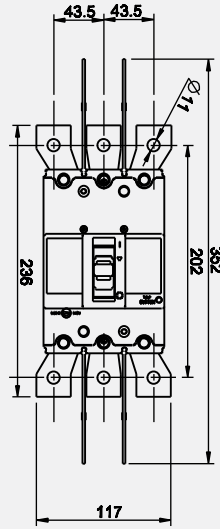
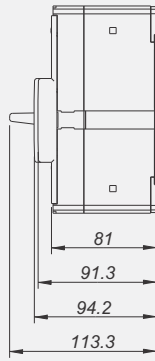
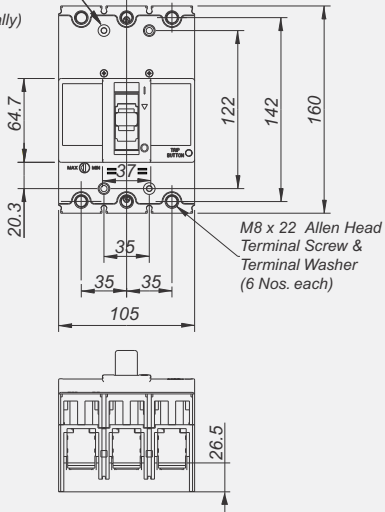
CENTRALLY PLACED CUT OUT OF EXTENDED - ROH FOR ANY DIRECTION MOUNTING OF BREAKER IN PANEL :



**Frame 2 – Breaker Installation Dimensions**

**BREAKER MOUNTING PROCEDURE AND MOUNTING DIMENSIONS FOR FRONT CONNECTION (FC) :**

M4 x82 Combined Slot Pan Head Screw for Breaker Mounting (2 Nos Diagonally)



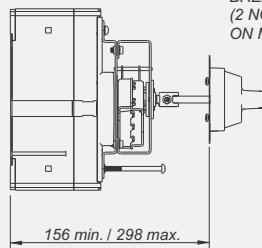
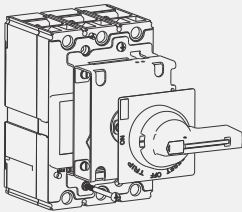
With Standard Terminals

With Optional Terminals

**Frame 2 – Rotary Handle Installation Dimensions**

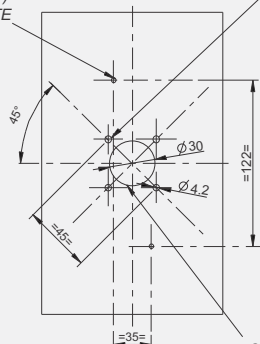
**ROTARY OPERATING HANDLE :**

EXTENDED - ROH



M4 TAPPING FOR BREAKER MOUNTING (2 NOS. DIAGONALLY) ON MOUNTING PLATE

2 NOS. CENTRALLY LOCATED HOLES FOR HANDLE MOUNTING

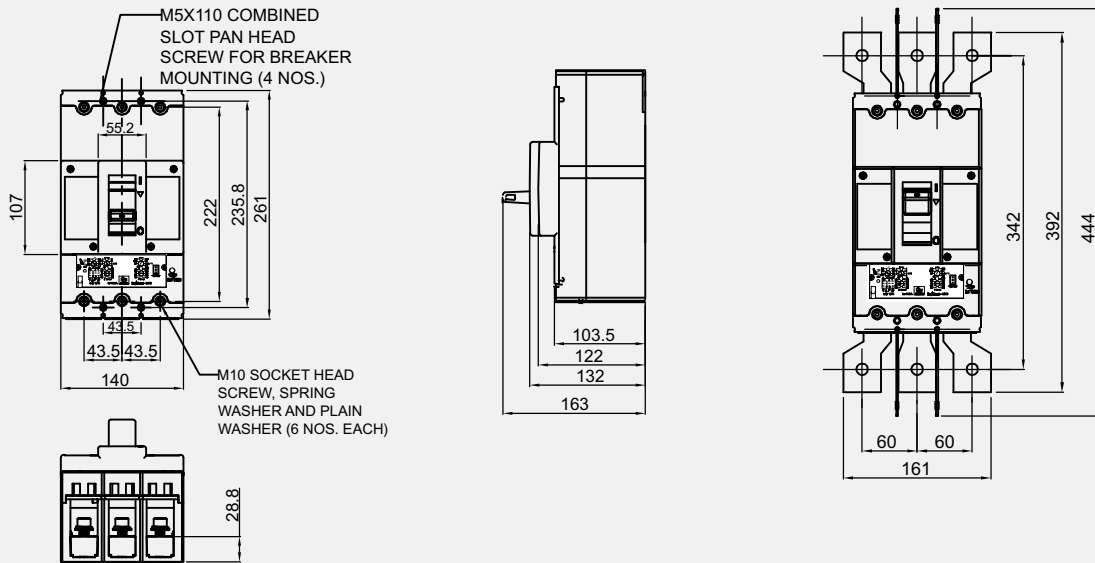


CUT OUT ON PANEL DOOR FOR HANDLE MOUNTING

F2ROHE

## Frame 3 – Breaker Installation Dimensions

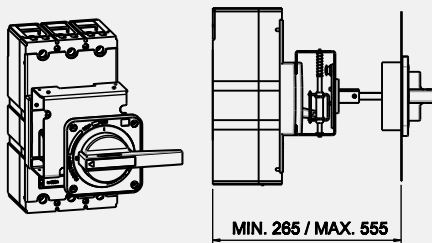
*BREAKER MOUNTING PROCEDURE AND MOUNTING DIMENSIONS FOR FRONT CONNECTION (FC) :*



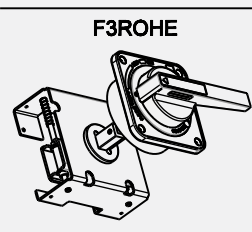
## Frame 3 – Rotary Handle Installation Dimensions

*ROTARY OPERATING HANDLE :*

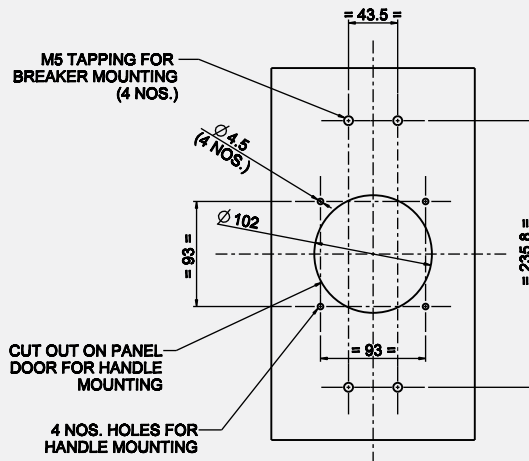
*EXTENDED - ROH*



**F3ROHE**



*CENTRALLY PLACED CUT OUT OF EXTENDED - ROH FOR ANY DIRECTION MOUNTING OF BREAKER IN PANEL :*



Switchgear & Control Gear

Automation

Enclosures

Electric Motors

Wires & Cables

Reactive Power Management

Brakes and Crane Control

Custom Build Products

a strong commitment to serve better always...



## BCH ELECTRIC LIMITED

Visit us at : [www.bchindia.com](http://www.bchindia.com)

**Corporate Office :** 1105, New Delhi House, 27, Barakhamba Road, New Delhi-110 001 Tel. : 91-11-23316029/3610/6539/43673100 Fax : 91-11-23715247

**CIN :** U31103WB1965PLC026427, Customercare No. 1800-103-9262, E-mail : [marketing@bchindia.com](mailto:marketing@bchindia.com)

**Registered Office :** Block 1E, 216, Acharya Jagadish Chandra Bose Road, Kolkata - 700 017

**Works 1 :** 20/4, Mathura Road, Faridabad-121 006 (Haryana) Tel. : 0129-4063000/4293000 Fax : 0129-2304016

**Works 2 :** 64-68, Sector-7, IIE, Pant Nagar, Rudrapur, Udham Singh Nagar - 263 153 (Uttarakhand) Tel. : 05944-250214/16 Fax : 05944-250215

### Sales Offices :

#### Ahmedabad

103, Aaron,  
Nr. SBI Lagnhuudyog branch,  
Behind Sakar-1,  
Gandhigram Railway Station,  
Ellis bridge, Ahmedabad-380 006  
Tel. : 079-26589719  
E-mail : [ahmedabad@bchindia.com](mailto:ahmedabad@bchindia.com)

#### Bangalore

B.M.H. Complex, 2nd Floor,  
No. 22, Kengal Hanumanthiah Road,  
Bangalore - 560 027  
Tel. : 080-22273478/41144878/41144879  
Fax : 080-22236759  
E-mail : [bangalore@bchindia.com](mailto:bangalore@bchindia.com)

#### Chandigarh

SCO 121-22-23, 1st Floor,  
Sector 34-A, Chandigarh - 160 022  
Tel. : 0172-5078957/2666122  
Fax : 0172-5049905  
E-mail : [chandigarh@bchindia.com](mailto:chandigarh@bchindia.com)

#### Chennai

Flat No. 3A, 3rd Floor,  
Sree Apartments,  
No.508, TTK Road,  
Alwarpet, Chennai 600 018  
Tel. : 044-24337046, 24337047  
Fax : 044-24337047  
E-mail : [chennai@bchindia.com](mailto:chennai@bchindia.com)

#### Coimbatore

87, Dr. Nanjappa Road,  
Coimbatore - 641 018  
Tel. : 0422-2305311  
Fax : 0422-2302599  
E-mail : [coimbatore@bchindia.com](mailto:coimbatore@bchindia.com)

#### Dehradun

8, Co-operative Industrial Estate,  
Patel Nagar, Dehradun-248001  
E-mail : [dehradun@bchindia.com](mailto:dehradun@bchindia.com)

#### Faridabad

20/4, Mathura Road,  
Faridabad - 121 006 (Haryana)  
Tel. : 0129-2304016  
E-mail : [faridabad@bchindia.com](mailto:faridabad@bchindia.com)

#### Hyderabad

1-8-303/48/13/102, Arya One,  
2nd Floor, P. G. Road,  
Secunderabad - 500 003  
Tel. : 040-66206263/27890306  
Fax : 040-66207273  
E-mail : [hyderabad@bchindia.com](mailto:hyderabad@bchindia.com)

#### Indore

330-331, Indraprastha Tower,  
3rd Floor, 6, M.G. Road,  
Indore - 452 001  
Tel. : 0731-2510011  
Fax : 0731-2510012  
E-mail : [indore@bchindia.com](mailto:indore@bchindia.com)

#### Jaipur

25, Hathroi, Gopalbari,  
Jaipur - 302 001  
Tel. : 0141-5104521  
Fax : 0141-2363521  
E-mail : [jaipur@bchindia.com](mailto:jaipur@bchindia.com)

#### Jamshedpur

3rd Floor, Aastha Trade Centre,  
'Q' Road, Bistupur,  
Jamshedpur - 831 001  
Tel. : 0657-2321097/2321481  
E-mail : [jamshedpur@bchindia.com](mailto:jamshedpur@bchindia.com)

#### Kolkata

Block 1E, 216,  
Acharya Jagadish Chandra Bose Road,  
Kolkata - 700 017  
Tel. : 033-22871728  
E-mail : [kolkata@bchindia.com](mailto:kolkata@bchindia.com)

#### Lucknow

Madan Plaza, 3rd Floor,  
14, Station Road,  
Lucknow - 226 001  
Tel. : 0522-4025997/4025997  
Fax : 0522-4025997  
E-mail : [lucknow@bchindia.com](mailto:lucknow@bchindia.com)

#### Ludhiana

S.C.O.-18, 2nd Floor,  
Feroze Gandhi Market,  
Ludhiana - 140 001  
Tel. : 0161-5021807/5022808  
Fax : 0161-5021807  
E-mail : [ludhiana@bchindia.com](mailto:ludhiana@bchindia.com)

#### Mumbai

A-151, Mittal Tower,  
Nariman Point,  
Mumbai - 400 021  
Tel. : 022-22822947/22850162  
Fax : 022-22822858  
E-mail : [mumbai@bchindia.com](mailto:mumbai@bchindia.com)

#### Nagpur

Flat No. T/12, 3rd Floor  
Baldeo Apartment,  
Behind Railway Station, Bajerla  
Nagpur (M.S.) - 440018  
E-mail : [nagpur@bchindia.com](mailto:nagpur@bchindia.com)

#### New Delhi

801, Akash Deep Building,  
26A, Barakhamba Road,  
New Delhi - 110 001  
Tel. : 011-23313878/66307065  
Fax : 011-23739230  
E-mail : [delhi@bchindia.com](mailto:delhi@bchindia.com)

#### Pune

8, Sarosh Bhavan,  
16-B/1, Dr. Ambedkar Road,  
Pune - 411 001  
Tel. : 020-26052590  
Telefax : 020-26135224  
E-mail : [pune@bchindia.com](mailto:pune@bchindia.com)

#### Raipur

2nd Floor, Building No. B-234,  
Indira Gandhi Vyasayik Parisar,  
Pandri, Raipur - 492 004  
Tel. : 0771-4020213  
Fax : 0771-2582680  
E-mail : [raipur@bchindia.com](mailto:raipur@bchindia.com)

#### Trichy

Kingstone Park, 2nd Floor,  
19/1, Puthur High Road,  
Ramalinga Nagar,  
Trichy - 620 017  
Tel. : 0431-4040497  
E-mail : [trichy@bchindia.com](mailto:trichy@bchindia.com)

#### Vadodara

301, Third Floor, "Florence Classic",  
10, Ashapuri Co-Op. Hsg. Soc. Ltd., Opp. VUDA Housing,  
Near Cow Circle, Akota, Vadodara - 390 020  
Tel. : +91-265-6548444/2345068/2345069  
Telefax : 0265-2345068,  
E-mail : [vadodara@bchindia.com](mailto:vadodara@bchindia.com)

### Other Branch Locations

**Bhubaneswar :** [bhubaneswar@bchindia.com](mailto:bhubaneswar@bchindia.com), **Cochin :** [cochin@bchindia.com](mailto:cochin@bchindia.com), **Gurgaon :** [gurgaon@bchindia.com](mailto:gurgaon@bchindia.com), **Guwahati :** [guwahati@bchindia.com](mailto:guwahati@bchindia.com), **Hospet :** [hospet@bchindia.com](mailto:hospet@bchindia.com),  
**Hubli :** [hubli@bchindia.com](mailto:hubli@bchindia.com), **Madurai :** [madurai@bchindia.com](mailto:madurai@bchindia.com), **Vishakapatnam :** [vizag@bchindia.com](mailto:vizag@bchindia.com), **Surat :** [surat@bchindia.com](mailto:surat@bchindia.com)

### Resident Engineer Locations

Baddi	Gurgaon	Madurai	Rajahmundry
Bardhaman	Haridwar	Muzaffarnagar	Salem
Bhilai	Hubli	Nagpur	Surat
Bhubaneswar	Hospet	Nashik	Udaipur
Cochin	Jodhpur	Patna	Vapi
Dehradun	Kakinada	Puducherry	Vishakhapatnam
Durgapur	Kota	Rajkot	Warangal

Since product improvement is a continuous process, the data furnished in this brochure may undergo revision without prior notice.